

MV-IDH7010B

1 MP Wireless Handheld Code Reader



Introduction

MV-IDH7010B series wireless handheld code reader adopts code reading algorithm to provide good decoding capability for DPM. It can read different types of 1D and 2D codes, and output codes rapidly. It adopts illumination system to provide direct lighting and diffused reflection lighting. With adaptive smart bases, the device can realize charging and data communication.

Key Feature

- Adopts code reading algorithm to provide good decoding capability.
- Provides good robustness to read codes with spots, defects and low contrast radio.
- Adopts Bluetooth 5.0 wireless technology to provide convenient and efficient operations.
- With smart bases, parameter configuration and device management via IDMVS client software are supported.
- Adopts 3150 mAh battery to provide long battery life.
- Adopts illumination system to provide direct lighting and diffused reflection lighting.
- Supports IP65 and drop height of 1.8 m.

Available Model

- MV-IDH7010B-07-NR-U
- MV-IDH7010B-07-NR-L
- MV-IDH7010B-07HHD-U
- MV-IDH7010B-07HHD-L
- MV-IDH7010B-07ER-U

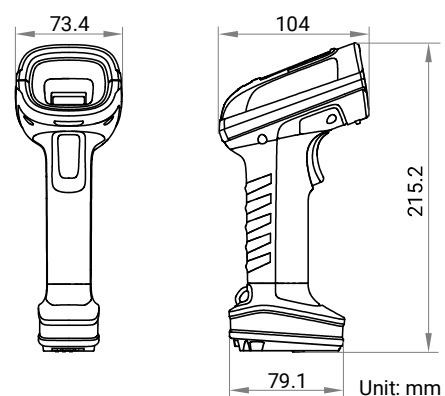
Applicable Industry

PCB, new energy, consumer electronics, semiconductor, automobile parts, etc.

Accessories

- Smart base with network interface: MV-IBASE-01-01
- Smart base with USB interface: MV-IBASE-01-02

Dimension



Specification

Model	MV-IDH7010B-07-NR-U	MV-IDH7010B-07-NR-L
Performance		
Symbologies	1D codes: Code 39, Code 93, Code 128, CodaBar, EAN 8, EAN 13, ITF 14, ITF 25, UPCA, UPCE 2D codes: QR Code, Data Matrix	
Min. accuracy	3 mil	
Max. frame rate	50 fps	
Sensor type	CMOS, global shutter	
Pixel size	3 μm × 3 μm	
Sensor size	1/4"	
Resolution	1280 × 800	
Depth of field*	Code 39 (3 mil): 15 mm to 60 mm Code 39 (5 mil): 5 mm to 80 mm Data Matrix (5 mil): 10 mm to 70 mm Data Matrix (10 mil): 0 mm to 110 mm QR Code (5 mil): 10 mm to 70 mm	
Field of view	Horizontal 31°, vertical 20°	
Detection angle	Tilt angle ± 60°, skew angle ± 60°, rotation angle 360°	
Symbol contrast	20%	
Wireless communication		
Bluetooth	BT 5.0, 2.4 GHz to 2.4835 GHz, BLE	
Wireless range	100 m (open range)	
Electrical feature		
Battery	3150 mAh, lithium battery	
Charging time	Adapter charging: 4 h, USB charging: 8 h	
Number of scan	26000 times (full charging)	
Power supply	3.8 VDC (battery provides power)	
Max. power consumption	Standby mode: 1.1 W@3.8 VDC, working mode: 6.4 W@3.8 VDC, sleep mode: 0.8 W@3.8 VDC	
Mechanical		
Focal length	6.7 mm	
Lens mount	M5.8-mount	
Ambient illumination	0 lux to 100000 lux	
Light source	Direct: white LED; diffused reflection: red LED	
Aiming system	Cross laser aiming	
Prompt	LED indicator, buzzer, vibrator	
Dimension	73.4 mm × 104 mm × 215.2 mm (2.9" × 4.1" × 8.5")	
Weight	Approx. 410 g (0.9 lb.)	
Ingress protection	IP65	
Temperature	Working temperature: -20 °C to 50 °C (-4 °F to 122 °F), storage temperature: -30 °C to 60 °C (-22 °F to 140 °F), charging temperature: 0 °C to 45 °C (32 °F to 113 °F)	
Humidity	20% to 95% RH, non-condensing	
Drop height	1.8 m (70.9")	
General		
Client software	IDMVS	
Certification	CE, FCC	

*(Test condition: Environment temperature=25 °C (77 °F), ambient illumination=250 lux filament lamp, Hikrobot's test symbologies are used.)

Model	MV-IDH7010B-07HHD-U	MV-IDH7010B-07HHD-L
Performance		
Symbologies	1D codes: Code 39, Code 93, Code 128, CodaBar, EAN 8, EAN 13, ITF 14, ITF 25, UPCA, UPCE 2D codes: QR Code, Data Matrix	
Min. accuracy	3 mil	
Max. frame rate	50 fps	
Sensor type	CMOS, global shutter	
Pixel size	3 μm × 3 μm	
Sensor size	1/4"	
Resolution	1280 × 800	
Depth of field*	Code 39 (5 mil): 0 mm to 29 mm Data Matrix (2 mil): 0 mm to 11 mm Data Matrix (5 mil): 0 mm to 20 mm QR Code (10 mil): 0 mm to 40 mm	
Field of view	Horizontal 31°, vertical 20°	
Detection angle	Tilt angle ± 60°, skew angle ± 60°, rotation angle 360°	
Symbol contrast	20%	
Wireless communication		
Bluetooth	BT 5.0, 2.4 GHz to 2.4835 GHz, BLE	
Wireless range	100 m (open range)	
Electrical feature		
Battery	3150 mAh, lithium battery	
Charging time	Adapter charging: 4 h, USB charging: 8 h	
Number of scan	26000 times (full charging)	
Power supply	3.8 VDC (battery provides power)	
Max. power consumption	Standby mode: 1.1 W@3.8 VDC, working mode: 6.4 W@3.8 VDC, sleep mode: 0.8 W@3.8 VDC	
Mechanical		
Focal length	6.7 mm	
Lens mount	M5.8-mount	
Ambient illumination	0 lux to 100000 lux	
Light source	Direct: white LED; diffused reflection: red LED	
Aiming system	Cross laser aiming	
Prompt	LED indicator, buzzer, vibrator	
Dimension	73.4 mm × 104 mm × 215.2 mm (2.9" × 4.1" × 8.5")	
Weight	Approx. 410 g (0.9 lb.)	
Ingress protection	IP65	
Temperature	Working temperature: -20 °C to 50 °C (-4 °F to 122 °F), storage temperature: -30 °C to 60 °C (-22 °F to 140 °F), charging temperature: 0 °C to 45 °C (32 °F to 113 °F)	
Humidity	20% to 95% RH, non-condensing	
Drop height	1.8 m (70.9")	
General		
Client software	IDMVS	
Certification	CE, FCC	

*(Test condition: Environment temperature=25 °C (77 °F), ambient illumination=250 lux filament lamp, Hikrobot's test symbologies are used.)

Model	MV-IDH7010B-07ER-U
Performance	
Symbologies	1D codes: Code 39, Code 93, Code 128, CodaBar, EAN 8, EAN 13, ITF 14, ITF 25, UPCA, UPCE 2D codes: QR Code, Data Matrix
Min. accuracy	1D codes: 5 mil, 2D codes: 10 mil
Max. frame rate	50 fps
Sensor type	CMOS, global shutter
Pixel size	3 μm \times 3 μm
Sensor size	1/4"
Resolution	1280 \times 800
Depth of field*	Code 39 (20 mil): 80 mm to 1000 mm Code 39 (100 mil): ** mm to 3000 mm Code 128 (5 mil): 180 mm to 270 mm Code 128 (15 mil): 100 mm to 800 mm Data Matrix (10 mil): 160 mm to 310 mm Data Matrix (160 mil): ** mm to 2700 mm
Field of view	Horizontal 31°, vertical 20°
Detection angle	Tilt angle \pm 60°, skew angle \pm 60°, rotation angle 360°
Symbol contrast	20%
Wireless communication	
Bluetooth	BT 5.0, 2.4 GHz to 2.4835 GHz, BLE
Wireless range	100 m (open range)
Electrical feature	
Battery	3150 mAh, lithium battery
Charging time	USB charging: 8 h
Number of scan	26000 times (full charging)
Power supply	3.8 VDC (battery provides power)
Max. power consumption	Standby mode: 1.1 W@3.8 VDC, working mode: 6.4 W@3.8 VDC, sleep mode: 0.8 W@3.8 VDC
Mechanical	
Focal length	6.7 mm
Lens mount	M5.8-mount
Ambient illumination	0 lux to 100000 lux
Light source	Direct: white LED; diffused reflection: red LED
Aiming system	Cross laser aiming
Prompt	LED indicator, buzzer, vibrator
Dimension	73.4 mm \times 104 mm \times 215.2 mm (2.9" \times 4.1" \times 8.5")
Weight	Approx. 410 g (0.9 lb.)
Ingress protection	IP65
Temperature	Working temperature: -20 °C to 50 °C (-4 °F to 122 °F), storage temperature: -30 °C to 60 °C (-22 °F to 140 °F), charging temperature: 0 °C to 45 °C (32 °F to 113 °F)
Humidity	20% to 95% RH, non-condensing
Drop height	1.8 m (70.9")

General	
Client software	IDMVS
Certification	CE, FCC

*(Test condition: Environment temperature=25 °C (77 °F), ambient illumination=250 lux filament lamp, Hikrobot's test symbologies are used.)

MaxxVision®

Sigmaringer Str. 121
70567 Stuttgart
Tel.: 0711 997 996 3
www.maxxvision.com

Hangzhou Hikrobot Co. Ltd.
en.hikrobotics.com

© Hangzhou Hikrobot Co., Ltd. All Rights Reserved.

Hangzhou Hikrobot does not tolerate any infringement. Any organization or individual may not imitate or reproduce in whole or in part of the content. The data herein is based on Hikrobot's internal evaluation. Actual data may vary depending on specific configuration and operating condition. The information herein is subject to change without notice. All the content has been checked conscientiously. Nevertheless, Hikrobot shall not be liable to damages resulting from errors, inconsistencies or omissions.