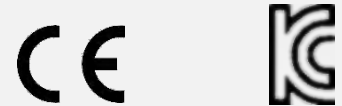


MV-IDH3013B

1.3 MP Wireless Handheld Code Reader



Introduction

MV-IDH3013B wireless handheld code reader adopts code reading algorithm and can read different types of 1D and 2D codes, and output results rapidly. It has good decoding capability for codes with spots, defects and low contrast radio, and entry level DPM code. With smart bases, the code reader can realize charging and data communication.

Key Feature

- Adopts code reading algorithm to read different types of 1D and 2D codes.
- Provides good robustness to read codes with spots, defects and low contrast radio.
- Supports continuous code reading, batch code reading for improving code reading efficiency.
- Adopts Bluetooth 5.0 wireless technology to provide convenient and efficient operations.
- With smart bases, parameter configuration and device management via IDMVS client software are supported.

Applicable Industry

Consumer electronics, medical treatment, appliance manufacturing, etc.

Available Model

- MV-IDH3013B-05N-R1L
- MV-IDH3013B-05N-R1L-IP
- MV-IDH3013B-05S-R1L
- MV-IDH3013B-05S-R1L-IP
- MV-IDH3013B-05S-W1L
- MV-IDH3013B-05N-R1U
- MV-IDH3013B-05S-R1U
- MV-IDH3013B-05S-W1U
- MV-IDH3013B-05S-W1L-P
- MV-IDH3013B-05S-W1U-P

Accessories

- Code reader with near distance (without smart base)
MV-IDH3013B-05N-R1
- Code reader with standard distance (without smart base)
MV-IDH3013B-05S-R1
- Smart base with Fast Ethernet:
IBASE-02-01
- Smart base with USB interface:
IBASE-02-02

Specification

Model	MV-IDH3013B-05N-R1L	MV-IDH3013B-05SR1L	MV-IDH3013B-05SW1L
Performance			
Symbologies	1D codes: Code 39, Code 93, Code 128, CodaBar, EAN 8, EAN 13, ITF 25, ITF 14, UPCA, and UPCE		
	2D codes: QR Code, Data Matrix		
Min. accuracy	3 mil	4 mil	
Max. frame rate	50 fps		
Sensor type	CMOS, global shutter		
Pixel size	2.7 μm \times 2.7 μm		
Sensor size	1/4"		
Resolution	1280 \times 1024		
Depth of field*	Code 128 (3 mil): 25 mm to 70 mm Code 128 (10 mil): 10 mm to 170 mm Code 39 (5 mil): 15 mm to 100 mm Data Matrix (5 mil): 30 mm to 60 mm Data Matrix (10 mil): 5 mm to 115 mm	Code 39 (5 mil): 40 mm to 160 mm Code 128 (10 mil): 10 mm to 400 mm Data Matrix (10 mil): 30 mm to 200 mm QR Code (15 mil): 15 mm to 280 mm QR Code (20 mil): 20 mm to 370 mm	
Field of view	Horizontal 40°, vertical 34°		
Detection angle	Tilt angle \pm 60°, skew angle \pm 60°, rotation angle 360°		
Symbol contrast	20%		
Wireless communication			
Bluetooth	BT 5.0, 2.4 GHz to 2.4835 GHz, BLE		
Wireless range	70 m (open range)		
Communication protocol	Wireless handheld code reader: Bluetooth Smart base: SmartSDK, TCP Client, TCP Server, Serial, FTP, UDP, Bluetooth		
Electrical feature			
Data interface	Fast Ethernet, RS-232, DC terminal		
Battery	3150 mAh, chargeable lithium battery		
Charging time	4 h		
Number of scan	29000 times (full charging)		
Power supply	Wireless handheld code reader: 3.8 VDC (battery providing power) Smart base: 12 VDC to 24 VDC		
Max. power consumption	Wireless handheld code reader: 0.8 W@3.8 VDC, working mode: 1.6 W@3.8 VDC, sleep mode: 0.6 W@3.8 VDC Smart base: 6.6 W@12 VDC		
Mechanical			
Focal length	4.7 mm		
Lens mount	M5.8-mount		
Ambient illumination	0 lux to 100000 lux		
Light source	Red LED	White LED	
Aiming system	Cross laser aiming		
Prompt	LED indicator, buzzer, vibrator		
Dimension	Wireless handheld code reader: 74.4 mm \times 86.6 mm \times 179.5 mm (2.9" \times 3.4" \times 7.1") Smart base: 100.9 mm \times 131.8 mm \times 83.6 mm (4.0" \times 5.2" \times 3.3")		
Weight	Wireless handheld code reader: Approx. 230 g (0.5 lb.) Smart base: Approx. 180 g (0.4 lb.)		
Ingress protection	IP42		
Temperature	Working temperature: -20 °C to 50 °C (-4 °F to 122 °F), storage temperature: -30 °C to 60 °C (-22 °F to 140 °F), charging temperature: 0 °C to 45 °C (32 °F to 113 °F)		

Specification

Humidity	20% to 80% RH, non-condensing
Drop height	1.5 m (59.1"), 50 times
General	
Client software	IDMVS
Certification	CE, KC

*Test condition: Environment temperature=25 °C (77 °F), ambient illumination=250 lux filament lamp, Hikrobot's test symbolologies are used.

Specification

Model	MV-IDH3013B-05N-R1U	MV-IDH3013B-05S-R1U	MV-IDH3013BSU-AGV	MV-IDH3013B-05S-W1U
Performance				
Symbolologies	1D codes: Code 39, Code 93, Code 128, CodaBar, EAN 8, EAN 13, ITF 25, ITF 14, UPCA, and UPCE 2D codes: QR Code, Data Matrix			
Min. accuracy	3 mil	4 mil		
Max. frame rate	50 fps			
Sensor type	CMOS, global shutter			
Pixel size	2.7 μm × 2.7 μm			
Sensor size	1/4"			
Resolution	1280 × 1024			
Depth of field*	Code 128 (3 mil): 25 mm to 70 mm Code 128 (10 mil): 10 mm to 170 mm Code 39 (5 mil): 15 mm to 100 mm Data Matrix (5 mil): 30 mm to 60 mm Data Matrix (10 mil): 5 mm to 115 mm	Code 39 (5 mil): 40 mm to 160 mm Code 128 (10 mil): 10 mm to 400 mm Data Matrix (10 mil): 30 mm to 200 mm QR Code (15 mil): 15 mm to 280 mm QR Code (20 mil): 20 mm to 370 mm		
Field of view	Horizontal 40°, vertical 34°			
Detection angle	Tilt angle ± 60°, skew angle ± 60°, rotation angle 360°			
Symbol contrast	20%			
Wireless communication				
Bluetooth	BT 5.0, 2.4 GHz to 2.4835 GHz, BLE			
Wireless range	70 m (open range)			
Communication protocol	Wireless handheld code reader: Bluetooth Smart base: SmartSDK, USB (HID/CDC), Bluetooth			
Electrical feature				
Data interface	USB2.0, DC terminal			
Battery	3150 mAh, chargeable lithium battery			
Charging time	8.5 h (USB)			
Number of scan	29000 times (full charging)			
Power supply	Wireless handheld code reader: 3.8 VDC (battery providing power) Smart base: 5 VDC (USB), 12 VDC to 24 VDC (DC terminal)			
Max. power consumption	Wireless handheld code reader: 0.8 W@3.8 VDC, working mode: 1.6 W@3.8 VDC, sleep mode: 0.6 W@3.8 VDC Smart base: 4.5 W@5 VDC (USB), 6.6 W@12 VDC (DC terminal)			
Mechanical				
Focal length	4.7 mm			
Lens mount	M5.8-mount			
Ambient illumination	0 lux to 100000 lux			

Specification

Light source	Red LED	White LED
Aiming system	Cross laser aiming	
Prompt	LED indicator, buzzer, vibrator	
Dimension	Wireless handheld code reader: 74.4 mm × 86.6 mm × 179.5 mm (2.9" × 3.4" × 7.1") Smart base: 100.9 mm × 131.8 mm × 83.6 mm (4.0" × 5.2" × 3.3")	
Weight	Wireless handheld code reader: Approx. 230 g (0.5 lb.) Smart base: Approx. 180 g (0.4 lb.)	
Ingress protection	IP42	
Temperature	Working temperature: -20 °C to 50 °C (-4 °F to 122 °F), storage temperature: -30 °C to 60 °C (-22 °F to 140 °F), charging temperature: 0 °C to 45 °C (32 °F to 113 °F)	
Humidity	20% to 80% RH, non-condensing	
Drop height	1.5 m (59.1"), 50 times	
General		
Client software	IDMVS	
Certification	CE, KC	

*Test condition: Environment temperature=25 °C (77 °F), ambient illumination=250 lux filament lamp, Hikrobot's test symbologies are used.

Specification

Model	MV-IDH3013B-05N-R1L-IP	MV-IDH3013B-05S-R1L-IP
Performance		
Symbologies	1D codes: Code 39, Code 93, Code 128, CodaBar, EAN 8, EAN 13, ITF 25, ITF 14, UPCA, and UPCE 2D codes: QR Code, Data Matrix	
Min. accuracy	3 mil	4 mil
Max. frame rate	50 fps	
Sensor type	CMOS, global shutter	
Pixel size	2.7 μm × 2.7 μm	
Sensor size	1/4"	
Resolution	1280 × 1024	
Depth of field*	Code 128 (3 mil): 25 mm to 70 mm Code 128 (10 mil): 10 mm to 170 mm Code 39 (5 mil): 15 mm to 100 mm Data Matrix (5 mil): 30 mm to 60 mm Data Matrix (10 mil): 5 mm to 115 mm	Code 39 (5 mil): 40 mm to 160 mm Code 128 (10 mil): 10 mm to 400 mm Data Matrix (10 mil): 30 mm to 200 mm QR Code (15 mil): 15 mm to 280 mm QR Code (20 mil): 20 mm to 370 mm
Field of view	Horizontal 40°, vertical 34°	
Detection angle	Tilt angle ± 60°, skew angle ± 60°, rotation angle 360°	
Symbol contrast	20%	
Wireless communication		
Bluetooth	BT 5.0, 2.4 GHz to 2.4835 GHz, BLE	
Wireless range	70 m (open range)	
Communication protocol	Wireless handheld code reader: Bluetooth Smart base: SmartSDK, TCP Client, Serial, FTP, TCP Server, UDP, Bluetooth, Ethernet/IP, Profinet, Modbus	
Electrical feature		
Data interface	Fast Ethernet, RS-232, DC terminal	
Battery	3150 mAh, chargeable lithium battery	
Charging time	4 h	

Number of scan	29000 times (full charging)
Power supply	Wireless handheld code reader: 3.8 VDC (battery providing power) Smart base: 12 VDC to 24 VDC
Max. power consumption	Wireless handheld code reader: 0.8 W@3.8 VDC, working mode: 1.6 W@3.8 VDC, sleep mode: 0.6 W@3.8 VDC Smart base: 6.6 W@12 VDC
Mechanical	
Focal length	4.7 mm
Lens mount	M5.8-mount
Ambient illumination	0 lux to 100000 lux
Light source	Red LED
Aiming system	Cross laser aiming
Prompt	LED indicator, buzzer, vibrator
Dimension	Wireless handheld code reader: 74.4 mm × 86.6 mm × 179.5 mm (2.9" × 3.4" × 7.1") Smart base: 100.9 mm × 131.8 mm × 83.6 mm (4.0" × 5.2" × 3.3")
Weight	Wireless handheld code reader: Approx. 230 g (0.5 lb.) Smart base: Approx. 180 g (0.4 lb.)
Ingress protection	IP42
Temperature	Working temperature: -20 °C to 50 °C (-4 °F to 122 °F), storage temperature: -30 °C to 60 °C (-22 °F to 140 °F), charging temperature: 0 °C to 45 °C (32 °F to 113 °F)
Humidity	20% to 80% RH, non-condensing
Drop height	1.5 m (59.1"), 50 times
General	
Client software	IDMVS
Certification	CE, KC

*Test condition: Environment temperature=25 °C (77 °F), ambient illumination=250 lux filament lamp, Hikrobot's test symbolologies are used.

Specification

Model	MV-IDH3013B-05S-W1L-P	MV-IDH3013B-05S-W1U-P
Performance		
Symbologies	1D codes: Code 39, Code 93, Code 128, CodaBar, EAN 8, EAN 13, ITF 25, ITF 14, UPCA, and UPCE 2D codes: QR Code, Data Matrix	
Min. accuracy	4 mil	
Max. frame rate	50 fps	
Sensor type	CMOS, global shutter	
Pixel size	2.7 μm × 2.7 μm	
Sensor size	1/4"	
Resolution	1280 × 1024	
Depth of field*	Code 39 (5 mil): 40 mm to 160 mm Code 128 (10 mil): 10 mm to 400 mm Data Matrix (10 mil): 30 mm to 200 mm QR Code (15 mil): 15 mm to 280 mm QR Code (20 mil): 20 mm to 370 mm	
Field of view	Horizontal 40°, vertical 34°	
Detection angle	Tilt angle ± 60°, skew angle ± 60°, rotation angle 360°	
Symbol contrast	20%	

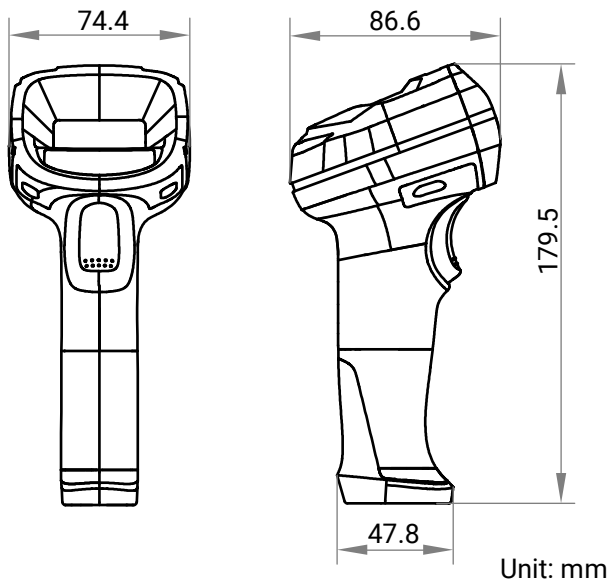
Specification

Wireless communication		
Bluetooth	BT 5.0, 2.4 GHz to 2.4835 GHz, BLE	
Wireless range	70 m (open range)	
Communication protocol	Wireless handheld code reader: Bluetooth Smart base: SmartSDK, TCP Client, Serial, FTP, TCP Server, UDP, Bluetooth	Wireless handheld code reader: Bluetooth Smart base: SmartSDK, USB (HID/CDC), Bluetooth
Electrical feature		
Data interface	Fast Ethernet, RS-232, DC terminal	USB2.0, DC terminal
Battery	3150 mAh, chargeable lithium battery	
Charging time	4 h	8.5 h (USB)
Number of scan	29000 times (full charging)	
Power supply	Wireless handheld code reader: 3.8 VDC (battery providing power) Smart base: 12 VDC to 24 VDC	Wireless handheld code reader: 3.8 VDC (battery providing power) Smart base: 5 VDC (USB), 12 VDC to 24 VDC (DC terminal)
Max. power consumption	Wireless handheld code reader: 0.8 W@3.8 VDC, working mode: 1.6 W@3.8 VDC, sleep mode: 0.6 W@3.8 VDC Smart base: 6.6 W@12 VDC	Wireless handheld code reader: 0.8 W@3.8 VDC, working mode: 1.6 W@3.8 VDC, sleep mode: 0.6 W@3.8 VDC Smart base: 4.5 W@5 VDC (USB), 6.6 W@12 VDC (DC terminal)
Mechanical		
Focal length	4.7 mm	
Lens mount	M5.8-mount	
Ambient illumination	0 lux to 100000 lux	
Light source	White LED	
Aiming system	Cross laser aiming	
Prompt	LED indicator, buzzer, vibrator	
Dimension	Wireless handheld code reader: 74.4 mm × 86.6 mm × 179.5 mm (2.9" × 3.4" × 7.1") Smart base: 100.9 mm × 131.8 mm × 83.6 mm (4.0" × 5.2" × 3.3")	
Weight	Wireless handheld code reader: Approx. 230 g (0.5 lb.) Smart base: Approx. 180 g (0.4 lb.)	
Ingress protection	IP42	
Temperature	Working temperature: -20 °C to 50 °C (-4 °F to 122 °F), storage temperature: -30 °C to 60 °C (-22 °F to 140 °F), charging temperature: 0 °C to 45 °C (32 °F to 113 °F)	
Humidity	20% to 80% RH, non-condensing	
Drop height	1.5 m (59.1"), 50 times	
General		
Client software	IDMVS	
Certification	CE, KC	

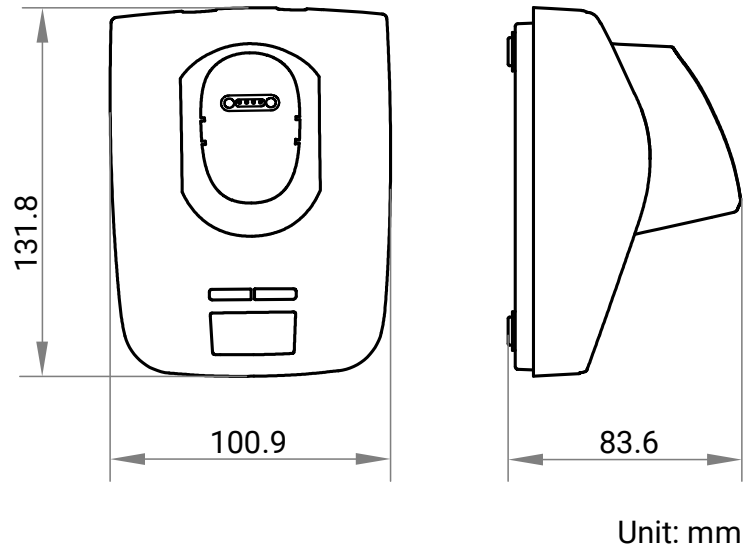
*Test condition: Environment temperature=25 °C (77 °F), ambient illumination=250 lux filament lamp, Hikrobot's test symbologies are used.

Dimension

Wireless Handheld Code Reader:



Smart Base:



MaxxVision®

Sigmaringer Str. 121
70567 Stuttgart
Tel.: 0711 997 996 3
www.maxxvision.com

Hangzhou Hikrobot Co. Ltd.
en.hikrobotics.com