

# MV-IDH2013

## 1.3 MP Wired Handheld Code Reader



### Introduction

MV-IDH2013 wired handheld code reader adopts code reading algorithm and can read different types of 1D and 2D codes, and output results rapidly. It has good decoding capability for codes with spots, defects and low contrast ratio, and DPM code.

### Key Feature

- Adopts code reading algorithm to read different types of 1D and 2D codes.
- Provides good robustness to read codes with spots, defects and low contrast ratio.
- Supports multiple output modes, including USB-HID, USB-CDC, RS232.
- Supports displaying device status via buzzer and indicator.
- Easy to replace components.

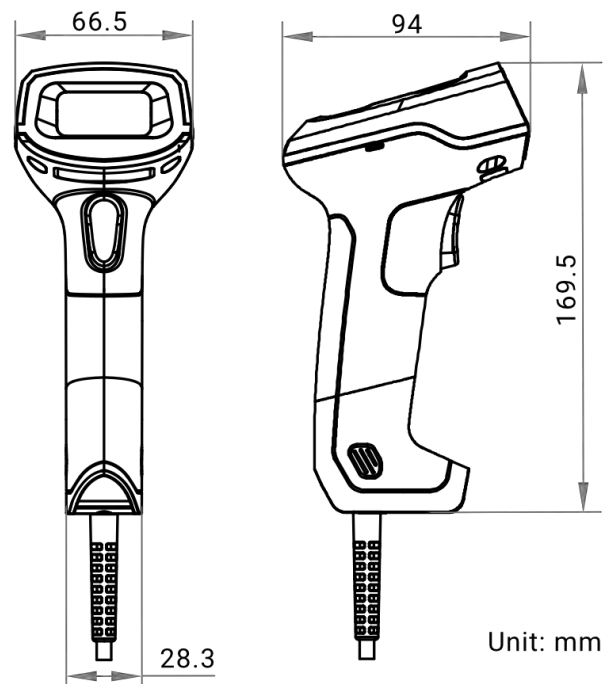
### Applicable Industry

Intelligent manufacturing, retail, logistics, medical treatment, enterprises and institutions, etc.

### Available Model

- MV-IDH2013-05N-W1U
- MV-IDH2013-05S-W1U
- MV-IDH2013-05N-W1U-P
- MV-IDH2013-05S-W1U-P
- MV-IDH2013-SU-AGV
- MV-IDH2013-04S-W1U

### Dimension



Model	MV-IDH2013-05N-W1U(-P)	MV-IDH2013-05S-W1U(-P)	MV-IDH2013-SU-AGV
<b>Performance</b>			
<b>Symbologies</b>	1D codes: Code 39, Code 93, Code 128, CodaBar, EAN 8, EAN 13, ITF 14, ITF 25, UPCA, and UPCE		
	2D codes: QR Code, Data Matrix, Micro QR, Aztec, and PDF 417		
<b>Min. accuracy</b>	1D codes: 2 mil	1D codes: 3 mil	
	2D codes: 4 mil	2D codes: 10 mil	
<b>Max. frame rate</b>	50 fps		
<b>Sensor type</b>	CMOS, global shutter		
<b>Pixel size</b>	2.7 μm × 2.7 μm		
<b>Sensor size</b>	1/4"		
<b>Resolution</b>	1280 × 1024		
<b>Depth of field*</b>	Code 128 (3 mil): 30 mm to 110 mm Code 128 (10 mil): 20 mm to 205 mm Data Matrix (5 mil): 40 mil to 85 mm QR Code (10 mil): 20 mil to 140 mm QR Code (20 mil): 20 mil to 200 mm	Code 128 (3 mil): 70 mm to 160 mm Code 128 (10 mil): 30 mm to 370 mm QR Code (10 mil): 45 mil to 235 mm QR Code (15 mil): 20 mil to 310 mm QR Code (20 mil): 20 mil to 370 mm	
<b>Field of view</b>	Horizontal 39°, vertical 29°		
<b>Detection angle</b>	Tilt angle ± 65°, skew angle ± 65°, rotation angle 360°		
<b>Symbol contrast</b>	20%		
<b>Communication protocol</b>	SmartSDK, USB (HID/CDC)		
<b>Electrical feature</b>			
<b>Data interface</b>	USB2.0		
<b>Power supply</b>	5 VDC		
<b>Max. power consumption</b>	2.5 W@5 VDC		
<b>Mechanical</b>			
<b>Focal length</b>	4.9 mm		
<b>Lens mount</b>	M5.0-mount		
<b>Ambient illumination</b>	0 lux to 100000 lux		
<b>Light source</b>	White LED		
<b>Aiming system</b>	Cross laser		
<b>Prompt</b>	LED indicator, buzzer		
<b>Dimension</b>	66.5 mm × 94 mm × 169.5 mm (2.6" × 3.7" × 6.7")		
<b>Weight</b>	Approx. 160 g (0.4 lb.)		
<b>Ingress protection</b>	IP42		
<b>Temperature</b>	Working temperature: -20 °C to 55 °C (-4 °F to 131 °F) storage temperature: -40 °C to 70 °C (-40 °F to 158 °F)		
<b>Humidity</b>	5% to 95% RH, non-condensing		
<b>Drop height</b>	1.5 m (59.1"), 50 times		
<b>General</b>			
<b>Client software</b>	IDMVS		
<b>Certification</b>	CE, KC, RoHS		

\*Test condition: Environment temperature=25 °C (77 °F), ambient illumination=250 lux filament lamp, Hikrobot's test symbologies are used.

# Specification

<b>Model</b>	<b>MV-IDH2013-04S-W1U</b>
<b>Performance</b>	
<b>Symbologies</b>	1D codes: Code 39, Code 93, Code 128, CodaBar, EAN 8, EAN 13, ITF 14, ITF 25, UPCA, and UPCE
	2D codes: QR Code, Data Matrix, Micro QR, Aztec, and PDF 417
<b>Min. accuracy</b>	1D codes: 4 mil
	2D codes: 10 mil
<b>Max. frame rate</b>	50 fps
<b>Sensor type</b>	CMOS, global shutter
<b>Pixel size</b>	2.7 $\mu\text{m}$ $\times$ 2.7 $\mu\text{m}$
<b>Sensor size</b>	1/4"
<b>Resolution</b>	1280 $\times$ 1024
<b>Depth of field*</b>	Code 39 (5 mil): 45 mm to 175 mm Code 128 (10 mil): 10 mm to 415 mm QR Code (10 mil): 35 mil to 220 mm QR Code (15 mil): 10 mil to 350 mm QR Code (20 mil): 10 mil to 415 mm
<b>Field of view</b>	Horizontal 47°, vertical 39°
<b>Detection angle</b>	Tilt angle $\pm$ 65°, skew angle $\pm$ 65°, rotation angle 360°
<b>Symbol contrast</b>	20%
<b>Communication protocol</b>	SmartSDK, USB (HID/CDC)
<b>Electrical feature</b>	
<b>Data interface</b>	USB2.0
<b>Power supply</b>	5 VDC
<b>Max. power consumption</b>	2.5 W@5 VDC
<b>Mechanical</b>	
<b>Focal length</b>	3.9 mm
<b>Lens mount</b>	M4.8-mount
<b>Ambient illumination</b>	0 lux to 100000 lux
<b>Light source</b>	White LED
<b>Aiming system</b>	Cross laser
<b>Prompt</b>	LED indicator, buzzer
<b>Dimension</b>	66.5 mm $\times$ 94 mm $\times$ 169.5 mm (2.6" $\times$ 3.7" $\times$ 6.7")
<b>Weight</b>	Approx. 160 g (0.4 lb.)
<b>Ingress protection</b>	IP42
<b>Temperature</b>	Working temperature: -20 °C to 55 °C (-4 °F to 131 °F) storage temperature: -40 °C to 70 °C (-40 °F to 158 °F)
<b>Humidity</b>	5% to 95% RH, non-condensing
<b>Drop height</b>	1.5 m (59.1"), 50 times
<b>General</b>	
<b>Client software</b>	IDMVS
<b>Certification</b>	CE, KC, RoHS

\*Test condition: Environment temperature=25 °C (77 °F), ambient illumination=250 lux filament lamp, Hikrobot's test symbologies are used.