

MV-IDH2003

0.3 MP Wired Handheld Code Reader



Introduction

MV-IDH2003 wired handheld code reader adopts code reading algorithm and can read different types of one-dimensional and two-dimensional codes, and output results rapidly. It has good decoding capability for codes with spots, defects and low contrast ratio, and DPM code.

Key Feature

- Adopts code reading algorithm to read different types of one-dimensional and two-dimensional codes.
- Provides good robustness to read codes with spots, defects and low contrast ratio.
- Supports multiple output modes, including USB-HID, USB-CDC, RS232.
- Supports displaying device status via buzzer and indicator.
- Easy to replace components.

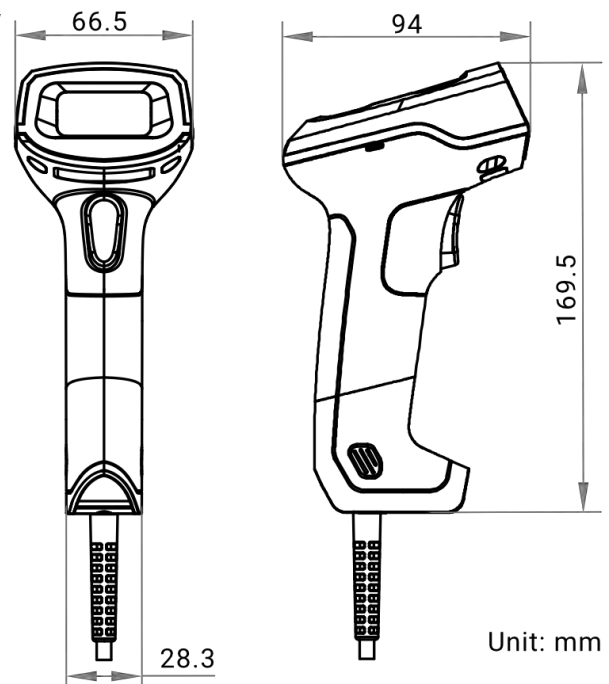
Applicable Industry

Intelligent manufacturing, retail, logistics, medical treatment, enterprises and institutions, etc.

Available Model

MV-IDH2003-03S-W2U

Dimension



Specification

Model	MV-IDH2003-03S-W2U
Performance	
Symbologies	1-dimensional codes: Code 39, Code 93, Code 128, CodaBar, EAN 8, EAN 13, ITF 14, ITF 25, UPCA, and UPCE
	2-dimensional codes: QR Code, Data Matrix, Micro QR Code, and Aztec
	Stacked codes: PDF417
Min. accuracy	4 mil
Max. frame rate	50 fps
Sensor type	CMOS, global shutter
Pixel size	3.74 μm \times 3.74 μm
Sensor size	1/6"
Resolution	640 \times 480
Depth of field*	EAN 13 (13 mil) 65 mm to 250 mm, Code 39 (5 mil): 40 mm to 140 mm Data Matrix (10 mil): 40 mm to 140 mm, QR Code (15 mil): 35 mil to 200 mm
Field of view	Horizontal 42°, vertical 32°
Detection angle	Tilt angle \pm 60°, skew angle \pm 60°, rotation angle 360°
Symbol contrast	20%
Communication protocol	SmartSDK, USB (HID/CDC)
Electrical feature	
Data interface	USB2.0
Power supply	5 VDC
Max. power consumption	2.5 W@5 VDC
Mechanical	
Focal length	3.1 mm
Lens mount	M5.0-mount
Ambient illumination	0 lux to 100000 lux
Light source	Green LED
Aiming system	Orange LED
Prompt	LED indicator, buzzer
Dimension	66.5 mm \times 94 mm \times 169.5 mm (2.6" \times 3.7" \times 6.7")
Weight	Approx. 160 g (0.4 lb.)
Ingress protection	IP42
Temperature	Working temperature: -20 °C to 55 °C (-4 °F to 131 °F) storage temperature: -30 °C to 70 °C (-22°F to 158 °F)
Humidity	5% to 95% RH, non-condensing
Drop height	1.5 m (59.1"), 50 times
General	
Client software	IDMVS
Certification	CE, KC, RoHS
<i>*Test condition: Environment temperature=25 °C (77 °F), ambient illumination=250 lux filament lamp, Hikrobot's test symbologies are used.</i>	

MaxxVision®
 Sigmaringer Str. 121
 70567 Stuttgart
 Tel.: 0711 997 996 3
 www.maxxvision.com

Hangzhou Hikrobot Co. Ltd.
 en.hikrobotics.com