

MV-IDA-H30

Smart Base of Wireless Handheld Code Reader



Introduction

MV-IDA-H30 smart base is used to charge and provide data communication for the wireless handheld code reader. It has USB, network, or RS-232 interfaces to meet different demands.

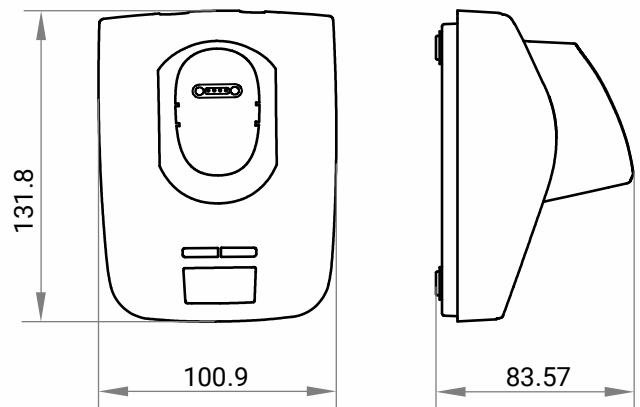
Key Feature

- Adopts Bluetooth 5.0 wireless technology to provide convenient and efficient operations.
- Provides USB, network, or RS-232 interfaces to meet different demands.
- Parameter configuration and device management via IDMVS client software are supported.
- Supports TCP, FTP, UDP, and Serial communication protocols.

Available Model

- Smart base with network interface: MV-IDA-H30-IBASE-01L
- Smart base with USB interface: MV-IDA-H30-IBASE-01U

Dimension



Unit: mm



Specification

Model	MV-IDA-H30-IBASE-01L	MV-IDA-H30-IBASE-01U
Wireless communication		
Bluetooth	BT 5.0, 2.4 GHz to 2.4835 GHz, BLE	
Wireless range	70 m (open range)	
Communication protocol	SmartSDK, TCP Client, Serial, FTP, TCP Server, UDP	SmartSDK, USB (HID/CDC)
Electrical feature		
Data interface	Fast Ethernet, RS-232, DC terminal	USB2.0, DC terminal
Power supply	12 VDC to 24 VDC	5 VDC
Max. power consumption	6.6 W@12 VDC	4.5 W@5 VDC
Charging time	4 h	8.5 h (USB)
Mechanical		
Dimension	100.9 mm × 131.8 mm × 83.6 mm (4.0" × 5.2" × 3.3")	
Weight	Approx. 180 g (0.4 lb.)	
Temperature	Working temperature: -20 °C to 50 °C (-4 °F to 122 °F) Storage temperature: -30 °C to 60 °C (-22 °F to 140 °F) Charging temperature: 0 °C to 45 °C (32 °F to 113 °F)	
Humidity	20% to 80% RH, non-condensing	
Drop height	1.5 m (59.1")	
General		
Client software	IDMVS	
Certification	CE, KC	

HIKROBOT

Hangzhou Hikrobot Co., Ltd.
en.hikrobotics.com

MaxxVision®

Sigmaringer Str. 121
70567 Stuttgart
Tel.: 0711 997 996 3
www.maxxvision.com

© Hangzhou Hikrobot Co., Ltd. All Rights Reserved.

Hangzhou Hikrobot does not tolerate any infringement. Any organization or individual may not imitate or reproduce in whole or in part of the content. The data herein is based on Hikrobot's internal evaluation. Actual data may vary depending on specific configuration and operating condition. The information herein is subject to change without notice. All the content has been checked conscientiously. Nevertheless, Hikrobot shall not be liable to damages resulting from errors, inconsistencies or omissions.