

MV-ID5200M-00C-NNN

20 MP Smart Code Reader



Introduction

MV-ID5200M-00C-NNN smart code reader can read different types of codes with reading speed up to 36 codes/sec. It adopts CMOS sensor and deep learning algorithm to process image with good robustness, and can recognize various codes.

Key Feature

- Adopts CMOS sensor to acquire image data and provide high-quality image.
- Adopts built-in deep learning algorithm to read codes with good robustness.
- Supports code quality evaluation to detect the printing quality of codes.
- Supports multiple communication protocols, including Serial, FTP, Profinet, Fins, etc.
- Supports RS-232 serial port and indicators displaying device status.

Available Model

MV-ID5200M-00C-NNN

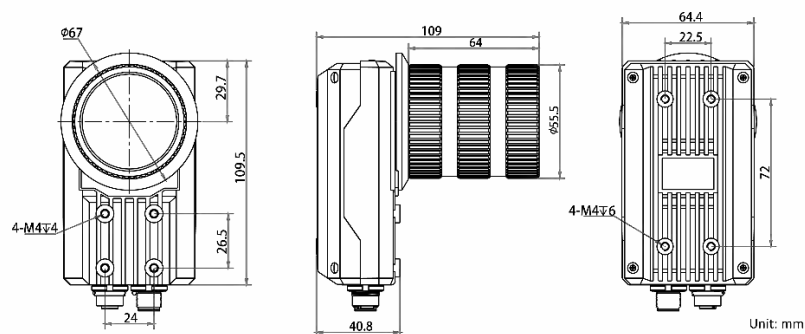
Applicable Industry

Consumer electronics, food and beverage, pharmaceutical, semiconductor, automobile, new energy, etc.

Accessories

KF series lens: MVL-KF3528M-12MP

Dimension



Specification

Model	MV-ID5200M-00C-NNN
Performance	
Symbologies	1-dimensional codes: Code 39, Code 93, Code 128, CodaBar, EAN 8, EAN 13, UPCA, UPCE, ITF 14, ITF 25, Matrix 25, MSI, China Post, Code 11
	2-dimensional codes: QR Code, Data Matrix
	Stack codes: PDF 417
Max. frame rate	20 fps
Max. reading speed	36 codes/sec
Sensor type	CMOS, rolling shutter
Pixel size	2.4 μm \times 2.4 μm
Sensor size	1"
Resolution	5440 \times 3648
Exposure time	16 μs to 500 ms
Gain	0 dB to 40 dB
Mono/color	Mono
Communication protocol	SmartSDK, TCP Client, Serial, FTP, TCP Server, Profinet, Ethernet/IP, MELSEC, Fins, ModBus, SLMP, UDP
Electrical feature	
Data interface	Gigabit Ethernet
Digital I/O	12-pin M12 connector provides power and I/O, including opto-isolated input (LineIn 0/1/2) \times 3, opto-isolated output (LineOut 3/4/5) \times 3, RS-232 input \times 1, and RS-232 output \times 1.
Power supply	12 VDC to 24 VDC
Max. power consumption	12 W@24 VDC
Mechanical	
Lens mount	C-mount
Light source	Not included
Lens cap	Transparent lens cap. Polarization lens cap is optional.
Indicator	Power indicator (PWR), network indicator (LNK/ACT), and user-defined indicator (U1/U2).
Dimension	109.5 mm \times 64.4 mm \times 109 mm (4.3" \times 2.5" \times 4.3")
Weight	Approx. 470 g (1.0 lb.)
Ingress protection	IP67 (under proper installation of waterproof lens cap)
Temperature	Working temperature: 0 $^{\circ}\text{C}$ to 50 $^{\circ}\text{C}$ (32 $^{\circ}\text{F}$ to 122 $^{\circ}\text{F}$) Storage temperature: -30 $^{\circ}\text{C}$ to 70 $^{\circ}\text{C}$ (-22 $^{\circ}\text{F}$ to 158 $^{\circ}\text{F}$)
Humidity	20% to 95% RH, non-condensing
General	
Client software	IDMVS
Certification	CE, RoHS, KC

Distributed by:

MaxxVision[®]

Sigmaringer Str. 121
70567 Stuttgart
Tel: +711 997 996 3
maxxvision.com

HIKROBOT

Hangzhou Hikrobot Co., Ltd.
en.hikrobotics.com

© Hangzhou Hikrobot Co., Ltd. All Rights Reserved.

Hangzhou Hikrobot does not tolerate any infringement. Any organization or individual may not imitate or reproduce in whole or in part of the content. The data herein is based on Hikrobot's internal evaluation. Actual data may vary depending on specific configuration and operating condition. The information herein is subject to change without notice. All the content has been checked conscientiously. Nevertheless, Hikrobot shall not be liable to damages resulting from errors, inconsistencies or omissions.