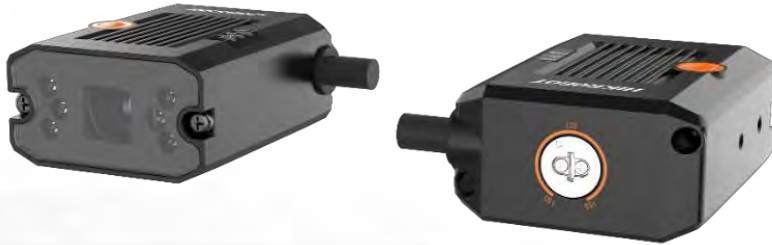


# MV-ID2013M (Long Focal Length)

## 1.3 MP Smart Code Reader



### Introduction

MV-ID2013M (Long Focal Length) smart code reader can read different types of 1-dimensional and 2-dimensional codes, and its max. reading speed reaches 45 codes/sec. It adopts deep learning algorithm to process images with good robustness, and can recognize various codes.

### Applicable Industry

Consumer electronics, food and beverage, pharmaceutical, semiconductor, new energy, etc.

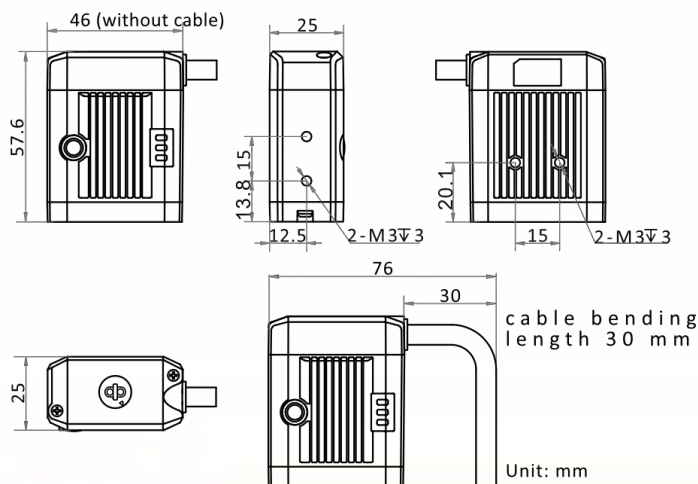
### Key Feature

- Compact design and small in size.
- Adopts focus knob for adjusting focusing manually.
- Adopts multiple IO interfaces and plug-in power interface.
- Supports multiple communication protocols, including TCP, Serial, FTP, Profinet, Ethernet/IP, MELSEC/SLMP, etc.

### Available Model

- Device with 16 mm focal length: MV-ID2013M-16S-RBN
- Device with 25 mm focal length: MV-ID2013M-25S-RBN

### Dimension



# Specification

| Model                         | MV-ID2013M-16S-RBN   | MV-ID2013M-25S-RBN              |
|-------------------------------|--|---------------------------------|
| <b>Performance</b>            |  |                                 |
| <b>Symbologies</b>            | 1-dimensional codes: Code 39, Code 93, Code 128, ITF 14, ITF 25, CodaBar, EAN 8, EAN 13, UPCA, UPCE  |                                 |
|                               | 2-dimensional codes: QR Code, Data Matrix  |                                 |
| <b>Max. frame rate</b>        | 60 fps   |                                 |
| <b>Max. reading speed</b>     | 45 codes/sec   |                                 |
| <b>Sensor type</b>            | CMOS, global shutter   |                                 |
| <b>Pixel size</b>             | 4 μm × 4 μm  |                                 |
| <b>Sensor size</b>            | 1/2.7"   |                                 |
| <b>Resolution</b>             | 1280 × 1024  |                                 |
| <b>Exposure time</b>          | 40 μs to 1 sec   |                                 |
| <b>Gain</b>                   | 0 dB to 15 dB  |                                 |
| <b>Mono/color</b>             | Mono   |                                 |
| <b>Communication protocol</b> | SmartSDK, TCP Client, Serial, FTP, TCP Server, Profinet, MELSEC/SLMP, Ethernet/IP, ModBus, UDP, Fins   |                                 |
| <b>Optics</b>                 |  |                                 |
| <b>Focal length</b>           | 16 mm (0.6")   | 25 mm (1.0")                    |
| <b>Working distance</b>       | 105 mm to 150 mm (4.1" to 5.9")  | 170 mm to 200 mm (6.7" to 7.9") |
| <b>Ambient illumination</b>   | 0 lux to 50000 lux   |                                 |
| <b>Light source</b>           | Red LED  |                                 |
| <b>Aiming system</b>          | Not supported  |                                 |
| <b>Electrical feature</b>     |  |                                 |
| <b>Data interface</b>         | Fast Ethernet  |                                 |
| <b>Digital I/O</b>            | 17-pin M12 connector provides power and I/O, including none-isolated input × 1 (Line 2), none-isolated output × 1 (Line 3), configurable bi-directional none-isolated I/O × 2 (Line 0/1), RS-232 × 1.<br>Device trigger via pressing button supported. |                                 |
| <b>Power supply</b>           | 12 VDC to 24 VDC   |                                 |
| <b>Max. power consumption</b> | Approx. 24 W@12 VDC  |                                 |
| <b>Mechanical</b>             |  |                                 |
| <b>Lens mount</b>             | M12-mount, adjusting focus manually supported  |                                 |
| <b>Indicator</b>              | Power indicator (PWR), network indicator (LNK), and status indicator (STS).  |                                 |
| <b>Dimension</b>              | 46 mm × 25 mm × 57.6 mm (1.8" × 1.0" × 2.3")   |                                 |
| <b>Weight</b>                 | Approx. 215 g (0.5 lb.)  |                                 |
| <b>Ingress protection</b>     | IP65   |                                 |
| <b>Temperature</b>            | Working temperature: 0 °C to 50 °C (32 °F to 122 °F)<br>Storage temperature: -30 °C to 70 °C (-22 °F to 158 °F)  |                                 |
| <b>Humidity</b>               | 20% to 95% RH, non-condensing  |                                 |
| <b>General</b>                |  |                                 |
| <b>Client software</b>        | IDMVS  |                                 |
| <b>Certification</b>          | CE, RoHS   |                                 |

**HIKROBOT**

Hangzhou Hikrobot Co., Ltd.  
en.hikrobotics.com

**MaxxVision®**

Sigmaringer Str. 121  
70567 Stuttgart  
Tel.: 0711 997 996 3  
www.maxxvision.com

© Hangzhou Hikrobot Co., Ltd. All Rights Reserved.

Hangzhou Hikrobot does not tolerate any infringement. Any organization or individual may not imitate or reproduce in whole or in part of the content. The data herein is based on Hikrobot's internal evaluation. Actual data may vary depending on specific configuration and operating condition. The information herein is subject to change without notice. All the content has been checked conscientiously. Nevertheless, Hikrobot shall not be liable to damages resulting from errors, inconsistencies or omissions.