

MV-ID2013EM

1.3 MP Industrial Code Reader



Introduction

MV-ID2013EM industrial code reader can read different types of 1D and 2D codes, and its max. reading speed reaches 30 codes/sec. It adopts deep learning algorithm to process images with good robustness, and can recognize various codes.

Key Feature

- Built-in deep learning algorithm to read codes with good robustness.
- Compact design and small in size.
- Adopts multiple IO interfaces and plug-in power interface.
- Adopts LED aiming light to help aim codes.
- Adopts buzzer and indicator for indicating device status.
- Supports one-click parameter adjustment for convenient operation.

Available Model

- MV-ID2013EM-05-WBN
- MV-ID2013EM-05-WBP
- MV-ID2013EM-05-RBN
- MV-ID2013EM-05-RBP
- MV-ID2013EM-05-WBN-U
- MV-ID2013EM-05-WBP-U
- MV-ID2013EM-05-RBN-U
- MV-ID2013EM-05-RBP-U
- MV-ID2013EM-05H-RBN
- MV-ID2013EM-05H-RBN-U
- MV-ID2013EM-05H-RBP
- MV-ID2013EM-05H-RBP-U
- MV-ID2013EM-05N-RBN
- MV-ID2013EM-05N-RBN-U
- MV-ID2013EM-05N-RBP
- MV-ID2013EM-05N-RBP-U
- MV-ID2013EM-03N-RBP
- MV-ID2013EM-03N-RBN

Applicable Industry

Consumer electronics, household appliances, food and beverage, pharmaceutical, automobile parts, ticket checking machine, etc.

Specification

Model	MV-ID2013EM-05-WBN(-U)	MV-ID2013EM-05-WBP(-U)	MV-ID2013EM-05-RBN(-U)	MV-ID2013EM-05-RBP(-U)
Performance				
Symbologies	1D codes: Code 39, Code 93, Code 128, ITF 14, ITF 25, CodaBar, EAN, UPCA, UPCE			
	2D codes: QR Code, Data Matrix			
Max. frame rate	50 fps			
Max. reading speed	30 codes/sec			
Sensor type	CMOS, global shutter			
Pixel size	2.7 μm \times 2.7 μm			
Sensor size	1/4"			
Resolution	1280 \times 1024			
Exposure time	60 μs to 0.6 sec			
Gain	1 dB to 28 dB			
Mono/color	Mono			
Communication protocol	Device with network interface: SmartSDK, TCP Client, Serial, FTP, TCP Server, UDP, Profinet, Ethernet/IP			
	Device with USB interface: SmartSDK, USB (HID, CDC)			
Depth of field*	Code 39 (5 mil): 75 mm to 215 mm Code 128 (10 mil): 50 mm to 400 mm EAN 13 (13 mil): 60 mm to 420 mm QR Code (15 mil): 40 mm to 290 mm Data Matrix (10 mil): 50 mm to 240 mm			
Optics				
Focal length	4.7 mm			
Ambient illumination	0 lux to 10000 lux			
Light source	White	White (polarized)	Red	Red (polarized)
Aiming system	Green LED			
Electrical feature				
Data interface	Device with network interface: Fast Ethernet, RS-232, DC terminal			
	Device with USB interface: USB2.0			
Digital I/O	Device with network interface: DB15 connector provides power and I/O, including none-isolated input \times 2 (Line 0/1), none-isolated output \times 2 (Line 2/3), RS-232 \times 1. Device trigger via pressing trigger button supported.			
	Device with USB interface: DB15 connector provides data transmission. Device trigger via pressing trigger button supported.			
Power supply	Device with network interface: 12 VDC to 24 VDC			
	Device with USB interface: 5 VDC (USB2.0 provides power supply)			
Max. power consumption	Device with network interface: 2.5 W@12 VDC			
	Device with USB interface: 2.5 W@5 VDC (USB2.0 provides power supply)			

Mechanical	
Lens mount	M5.8-mount
Indicator	Power indicator (POWER), status indicator (OK/NG)
Dimension	45 mm × 43 mm × 25 mm (1.8" × 1.7" × 1.0")
Weight	Approx. 68.5 g (0.15 lb.)
Ingress protection	IP54
Temperature	Working temperature: 0 °C to 50 °C (32 °F to 122 °F) storage temperature: -30 °C to 70 °C (-22 °F to 158 °F)
Humidity	20% to 95% RH, non-condensing
General	
Client software	IDMVS
Certification	CE, RoHS, KC

*Test condition: Environment temperature=25 °C (77 °F), ambient illumination=250 lux filament lamp, sample symbologies are used.

Model	MV-ID2013EM-05H-RBN(-U)	MV-ID2013EM-05H-RBP(-U)	MV-ID2013EM-05N-RBN(-U)	MV-ID2013EM-05N-RBP(-U)
Performance				
Symbologies	1D codes: Code 39, Code 93, Code 128, ITF 14, ITF 25, CodaBar, EAN, UPCA, UPCE 2D codes: QR Code, Data Matrix			
Max. frame rate	50 fps			
Max. reading speed	30 codes/sec			
Sensor type	CMOS, global shutter			
Pixel size	2.7 μm × 2.7 μm			
Sensor size	1/4"			
Resolution	1280 × 1024			
Exposure time	60 μs to 0.6 sec			
Gain	1 dB to 28 dB			
Mono/color	Mono			
Communication protocol	Device with network interface: SmartSDK, TCP Client, Serial, FTP, TCP Server, UDP, Profinet, Ethernet/IP Device with USB interface: SmartSDK, USB (HID, CDC)			
Depth of field*	Code 39 (3 mil): 35 mm to 65 mm Code 39 (5 mil): 30 mm to 75 mm EAN 13 (13 mil): 55 mm to 105 mm Data Matrix (5 mil): 30 mm to 65 mm Data Matrix (10 mil): 25 mm to 90 mm Code 128 (10 mil): 25 mm to 105 mm QR Code (10 mil): 25 mm to 95 mm		Code 39 (3 mil): 45 mm to 90 mm Code 39 (5 mil): 35 mm to 105 mm EAN 13 (13 mil): 50 mm to 125 mm Data Matrix (5 mil): 40 mm to 80 mm Data Matrix (10 mil): 25 mm to 125 mm Code 128 (10 mil): 40 mm to 140 mm QR Code (10 mil): 30 mm to 120 mm	

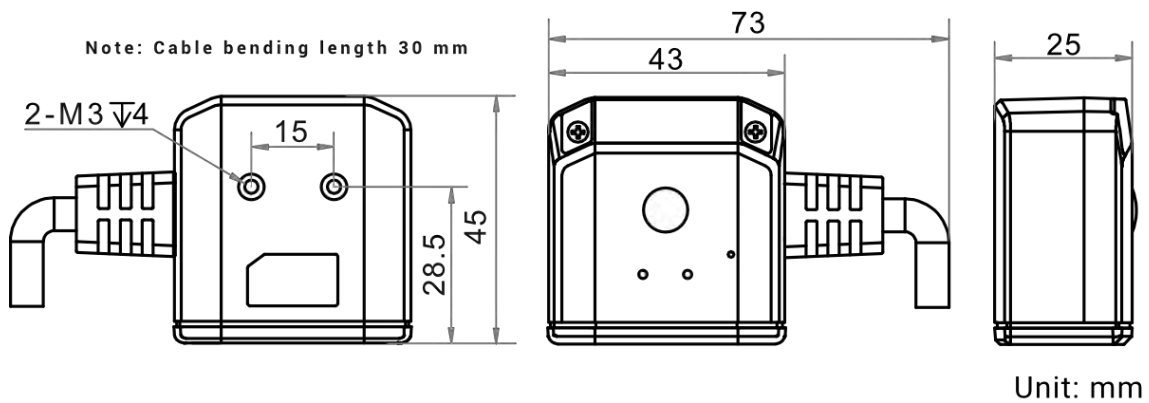
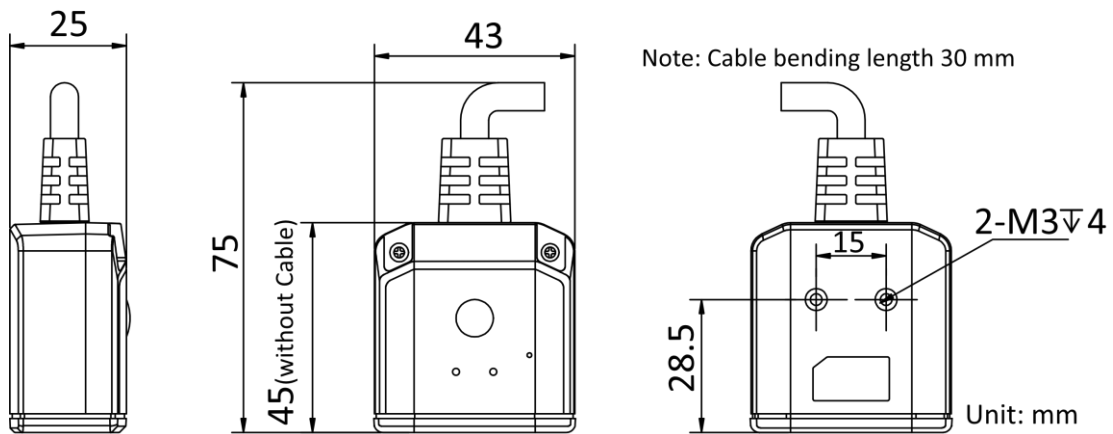
Optics				
Focal length	4.7 mm			
Ambient illumination	0 lux to 10000 lux			
Light source	Red	Red (polarized)	Red	Red (polarized)
Aiming system	Green LED			
Electrical feature				
Data interface	Device with network interface: Fast Ethernet, RS-232, DC terminal			
	Device with USB interface: USB2.0			
Digital I/O	Device with network interface: DB15 connector provides power and I/O, including none-isolated input × 2 (Line 0/1), none-isolated output × 2 (Line 2/3), RS-232 × 1. Device trigger via pressing trigger button supported.			
	Device with USB interface: DB15 connector provides data transmission. Device trigger via pressing trigger button supported.			
Power supply	Device with network interface: 12 VDC to 24 VDC			
	Device with USB interface: 5 VDC (USB2.0 provides power supply)			
Max. power consumption	Device with network interface: 2.5 W@12 VDC			
	Device with USB interface: 2.5 W@5 VDC (USB2.0 provides power supply)			
Mechanical				
Lens mount	M5.8-mount			
Indicator	Power indicator (POWER), status indicator (OK/NG)			
Dimension	45 mm × 43 mm × 25 mm (1.8" × 1.7" × 1.0")			
Weight	Approx. 68.5 g (0.15 lb.)			
Ingress protection	IP54			
Temperature	Working temperature: 0 °C to 50 °C (32 °F to 122 °F) storage temperature: -30 °C to 70 °C (-22 °F to 158 °F)			
Humidity	20% to 95% RH, non-condensing			
General				
Client software	IDMVS			
Certification	CE, RoHS, KC			

*Test condition: Environment temperature=25 °C (77 °F), ambient illumination=250 lux filament lamp, sample symbologies are used.

Model	MV-ID2013EM-03N-RBN	MV-ID2013EM-03N-RBP
Performance		
Symbologies	1D codes: Code 39, Code 93, Code 128, ITF 14, ITF 25, CodaBar, EAN, UPCA, UPCE	
	2D codes: QR Code, Data Matrix	
Max. frame rate	50 fps	
Max. reading speed	30 codes/sec	
Sensor type	CMOS, global shutter	
Pixel size	2.7 μm \times 2.7 μm	
Sensor size	1/4"	
Resolution	1280 \times 1024	
Exposure time	60 μs to 0.6 sec	
Gain	1 dB to 28 dB	
Mono/color	Mono	
Communication protocol	SmartSDK, TCP Client, Serial, FTP, TCP Server, UDP, Profinet, Ethernet/IP	
Depth of field*	Code 39 (5 mil): 40 mm to 120 mm Code 128 (10 mil): 15 mm to 250 mm EAN 13 (13 mil): 30 mm to 280 mm QR Code (10 mil): 35 mm to 155 mm QR Code (15 mil): 15 mm to 215 mm QR Code (20 mil): 15 mm to 270 mm	
Optics		
Focal length	2.45 mm	
Ambient illumination	0 lux to 10000 lux	
Light source	Red	Red (polarized)
Aiming system	Green LED	
Electrical feature		
Data interface	Fast Ethernet, RS-232, DC terminal	
Digital I/O	DB15 connector provides power and I/O, including none-isolated input \times 2 (Line 0/1), none-isolated output \times 2 (Line 2/3), RS-232 \times 1. Device trigger via pressing trigger button supported.	
Power supply	12 VDC to 24 VDC	
Max. power consumption	2.5 W@12 VDC	
Mechanical		
Lens mount	M5.4-mount	
Indicator	Power indicator (POWER), status indicator (OK/NG)	
Dimension	45 mm \times 43 mm \times 25 mm (1.8" \times 1.7" \times 1.0")	
Weight	Approx. 68.5 g (0.15 lb.)	
Ingress protection	IP54	
Temperature	Working temperature: 0 $^{\circ}\text{C}$ to 50 $^{\circ}\text{C}$ (32 $^{\circ}\text{F}$ to 122 $^{\circ}\text{F}$) storage temperature: -30 $^{\circ}\text{C}$ to 70 $^{\circ}\text{C}$ (-22 $^{\circ}\text{F}$ to 158 $^{\circ}\text{F}$)	
Humidity	20% to 95% RH, non-condensing	
General		
Client software	IDMVS	
Certification	CE, RoHS, KC	

*Test condition: Environment temperature=25 $^{\circ}\text{C}$ (77 $^{\circ}\text{F}$), ambient illumination=250 lux filament lamp, sample symbologies are used.

Dimension



Detection Range

Focal Length (mm)	Working Distance (mm)	FoV		1D Single Pixel Accuracy (mm)	2D Single Pixel Accuracy (mm)
		H (mm)	V (mm)		
3	120	163	130	0.12	0.29
5	120	89	72	0.070	0.278

Distributed by:
MaxxVision®
 Sigmaringer Str. 121
 70567 Stuttgart
 Tel: +711 997 996 3
 maxxvision.com

Hangzhou Hikrobot Co. Ltd.
 en.hikrobotics.com