

# MV-ID6089M-00C-NNG

8.9 MP 1" CMOS Smart Code Reader



## Introduction

With built-in code reading algorithm, MV-ID6089M-00C-NNG smart code reader can read different types of 1-dimensional code and 2-dimensional code with reading speed up to 90 codes/s. It adopts deep learning algorithm to process image with good robustness, and can recognize various poor printing quality barcodes.

## Key Feature

- Adopts CMOS sensor to acquire image data and provide high-quality image.
- Adopts built-in deep learning algorithm.
- Adopts built-in code reading algorithm to read different codes.
- Supports various trigger modes and image acquisition modes.
- Adopts multiples IO interface for input and output signals.
- Supports RS-232 serial port and indicators displaying device status.

## Available Model

MV-ID6089M-00C-NNG

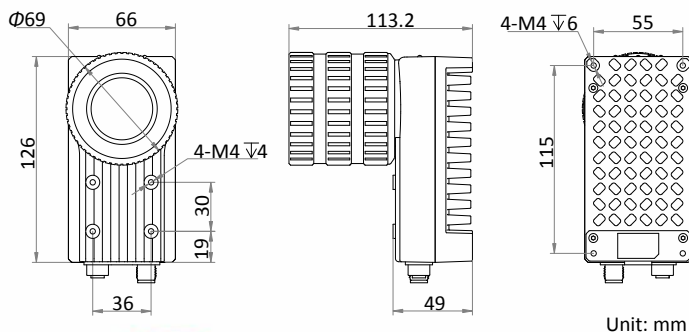
## Applicable Industry

Logistics code reading, factory automation, etc.

## Accessories

- Lens: KF series FA lens
- Light source: MV-LB-200-200-32WF

## Dimension



## Specification

<b>Model</b>	<b>MV-ID6089M-00C-NNG</b>
<b>Performance</b>	
<b>Symbologies</b>	1-dimensional codes: Code 39, Code 128, Code 93, ITF25, CodaBar, EAN 2-dimensional codes: QR, DM
<b>Max. frame rate</b>	30 fps @4096 × 2160
<b>Max. reading speed</b>	90 codes/s
<b>Sensor type</b>	CMOS, global shutter
<b>Pixel size</b>	3.45 μm x 3.45 μm
<b>Sensor size</b>	1"
<b>Resolution</b>	4096 × 2160
<b>Exposure time</b>	16 μs to 1 s
<b>Gain</b>	0 dB to 15 dB
<b>Mono/color</b>	Mono
<b>Communication protocol</b>	SmartSDK, TCP Client, TCP Server, Serial, FTP, HTTP
<b>Electrical features</b>	
<b>Data interface</b>	Gigabit Ethernet interface
<b>Digital IO</b>	12-pin M12 connector provides power and I/O, including opto-isolated input (LineIn 0/1/2) x 3, opto-isolated output (LineOut 0/1/2) x 3, and RS-232 x 1.
<b>Power supply</b>	12 VDC to 24 VDC
<b>Power consumption</b>	< 12 W@24 VDC
<b>Structure</b>	
<b>Lens mount</b>	C-mount
<b>Light source</b>	Not included
<b>Lens cap</b>	Included
<b>Dimension</b>	126 mm x 66 mm x 113.2 mm (5.0" x 2.6" x 4.5")
<b>Weight</b>	Approx. 750 g (1.7 lb.)
<b>Ingress protection</b>	IP67 ( under proper installation of waterproof lens cap)
<b>Temperature</b>	Working temperature: 0 °C to 50 °C (32 °F to 122 °F) Storage temperature: -30 °C to 70 °C (-22 °F to 158 °F)
<b>Humidity</b>	20% to 95% RH, without condensation
<b>General</b>	
<b>Client software</b>	IDMVS
<b>Certifications</b>	CE, FCC, RoHS

**HIKROBOT**

Hangzhou Hikrobot Technology Co., Ltd.  
No.399 Danfeng Road, Binjiang District, Hangzhou 310051, China.  
en.hikrobotics.com

**MaxxVision®**

Sigmaringer Str. 121  
70567 Stuttgart  
Tel.: 0711 997 996 3  
www.maxxvision.com

Copyright Hikrobot

Hangzhou Hikrobot Technology Co., Ltd. All Rights Reserved. Hangzhou Hikrobot Technology does not tolerate any infringement. Any organization or individual may not imitate or reproduce in whole or in part of the content. The data herein is based on Hikrobot's internal evaluation. Actual data may vary depending on specific configuration and operating condition. The information herein is subject to change without notice. All the content has been checked conscientiously. Nevertheless, Hikrobot shall not be liable to damages resulting from errors, inconsistencies or omissions.