

# MV-ID5060M-08S-WBN

6 MP Smart Code Reader



## Introduction

With mechanical autofocus lens, MV-ID5060M-08S-WBN smart code reader can read different types of 1-dimensional and 2-dimensional codes with reading speed up to 90 codes/s. It adopts Hikrobot's deep learning algorithm to process image with good robustness, and can recognize various complex barcodes.

## Key Feature

- Adopts built-in deep learning algorithm to read barcodes with good robustness.
- Adopts mechanical autofocus lens to achieve automatic focusing.
- Adopts multiple IO interfaces for input and output signals.
- Supports multiple communication protocols, including TCP/IP, Serial, FTP, HTTP, etc.
- Adopts CMOS sensor to acquire image data and provide high-quality image.
- Supports RS-232 serial port and indicators displaying device status.

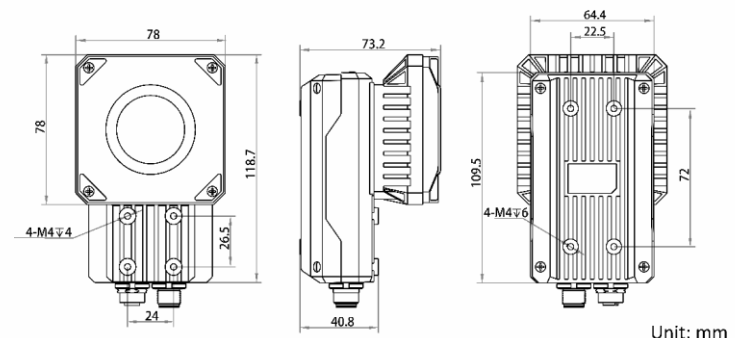
## Available Model

Smart code reader with 8 mm focal length:  
MV-ID5060M-08S-WBN

## Applicable Industry

Consumer electronics, food and beverage, pharmaceutical, semiconductor, automobile, etc.

## Dimension



# Specification

<b>Model</b>	<b>MV-ID5060M-08S-WBN</b>
<b>Performance</b>	
<b>Symbologies</b>	1-dimensional codes: Code 39, Code 93, Code 128, ITF25, CodaBar, EAN 2-dimensional codes: QR, DM
<b>Max. frame rate</b>	30 fps @3072 × 2048
<b>Max. reading speed</b>	90 codes/s
<b>Sensor type</b>	CMOS, rolling shutter
<b>Pixel size</b>	2.4 μm x 2.4 μm
<b>Sensor size</b>	1/1.8"
<b>Resolution</b>	3072 × 2048
<b>Exposure time</b>	16 μs to 1 s
<b>Gain</b>	0 dB to 40 dB
<b>Mono/color</b>	Mono
<b>Electrical features</b>	
<b>Data interface</b>	Gigabit Ethernet interface
<b>Communication protocol</b>	SmartSDK, TCP Client, TCP Server, Serial, FTP, HTTP
<b>Digital IO</b>	12-pin M12 connector provides power and I/O, including opto-isolated input (LineIn 0/1/2) x 3, opto-isolated output (LineOut 0/1/2) x 3, RS-232 input x 1, and RS-232 output x 1.
<b>Power supply</b>	24 VDC
<b>Power consumption</b>	Approx. 20 W@24 VDC (light source is enabled)
<b>Structure</b>	
<b>Lens focal length</b>	8 mm (0.3")
<b>Lens mount</b>	M12-mount, mechanical autofocus lens.
<b>Lens cap</b>	Transparent lens cap. Polarization lens cap is optional.
<b>Light source</b>	White light. Red or blue light is optional.
<b>Indicator</b>	Power indicator (PWR), network indicator (LNK/ACT), and user indicator (U1/U2).
<b>Dimension</b>	118.7 mm x 78 mm x 73.2 mm (4.7" x 3.1" x 2.9")
<b>Weight</b>	Approx. 520 g (1.1 lb.)
<b>Ingress protection</b>	IP67 (under proper installation of waterproof lens cap)
<b>Temperature</b>	Working temperature: 0 °C to 50 °C (32 °F to 122 °F) Storage temperature: -30 °C to 70 °C (-22 °F to 158 °F)
<b>Humidity</b>	20% to 95% RH, without condensation
<b>General</b>	
<b>Client software</b>	IDMVS
<b>Certifications</b>	CE, FCC, RoHS

**HIKROBOT**

Hangzhou Hikrobot Technology Co., Ltd.  
No.399 Danfeng Road, Binjiang District, Hangzhou 310051, China.  
en.hikrobotics.com

**MaxxVision®**

Sigmaringer Str. 121  
70567 Stuttgart  
Tel.: 0711 997 996 3  
www.maxxvision.com

Copyright Hikrobot

Hangzhou Hikrobot Technology Co., Ltd. All Rights Reserved. Hangzhou Hikrobot Technology does not tolerate any infringement. Any organization or individual may not imitate or reproduce in whole or in part of the content. The data herein is based on Hikrobot's internal evaluation. Actual data may vary depending on specific configuration and operating condition. The information herein is subject to change without notice. All the content has been checked conscientiously. Nevertheless, Hikrobot shall not be liable to damages resulting from errors, inconsistencies or omissions.