

MV-CH120-20UM

12 MP 1" CMOS USB3.0 Area Scan Camera



GEN<i>i</i>CAM

USBTM
VISION

Introduction

MV-CH120-20UM camera adopts OnSemi XGS12000 sensor to provide high-quality images. It uses USB3.0 interface to transmit images in real time, and its max. frame rate can reach 28 fps in full resolution.

Key Feature

- Supports auto or manual adjustment for gain and exposure time, and manual adjustment for LUT and Gamma correction.
- Compact design with mounting holes on panels for flexible mounting from 4 sides.
- Supports hardware trigger, software trigger and free run mode.
- Compatible with USB3 Vision Protocol, GenICam Standard, and the third-party software based on these protocol and standard.

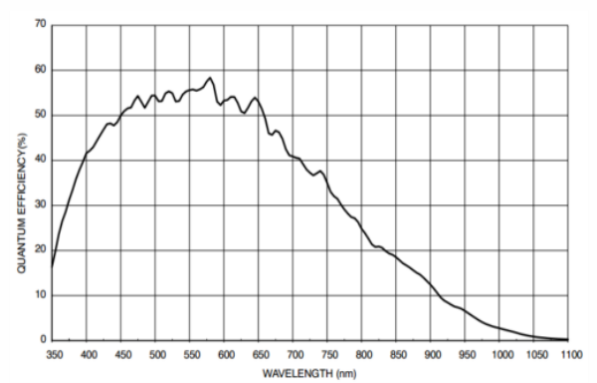
Available Model

MV-CH120-20UM

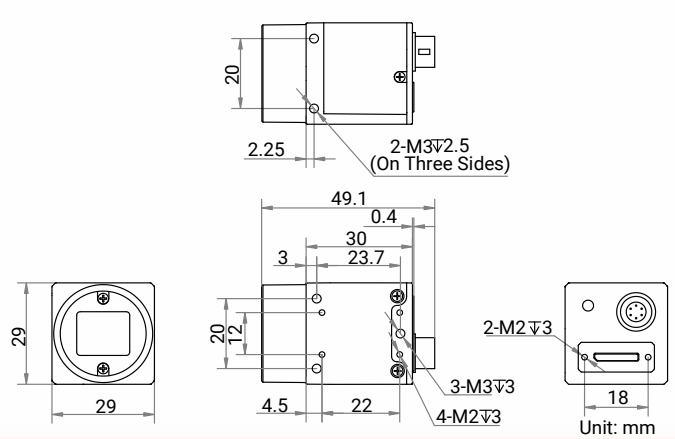
Applicable Industry

Electronic semiconductor, factory automation, logistics, etc.

Sensor Quantum Efficiency



Dimension



Specification

Model	MV-CH120-20UM
Performance	
Sensor type	CMOS, global shutter
Sensor model	OnSemi XGS12000
Pixel size	3.2 μm \times 3.2 μm
Sensor size	1"
Resolution	4096 \times 3072
Max. frame rate	28 fps @4096 \times 3072 Mono 8
Dynamic range	68 dB
SNR	40 dB
Gain	0 dB to 18 dB
Exposure time	UltraShort exposure mode: 52 μs to 161 μs Standard exposure mode: 162 μs to 10 sec
Exposure mode	Off/Once/Continuous exposure mode
Mono/color	Mono
Pixel format	Mono 8/10/10Packed/12/12Packed
Binning	Supports 1 \times 1, 2 \times 2, 4 \times 4
Decimation	Supports 1 \times 1, 2 \times 2
Reverse image	Supports horizontal and vertical reverse image output
Electrical feature	
Data interface	USB3.0, compatible with USB2.0
Digital I/O	6-pin P7 connector provides power and I/O, including opto-isolated input \times 1 (Line 0), opto-isolated output \times 1 (Line 1), and bi-directional non-isolated I/O \times 1 (Line 2)
Power supply	9 VDC to 24 VDC, supports USB3.0 power supply
Power consumption	Typ. 2.9 W@5 VDC (USB3.0 provides power supply)
Mechanical	
Lens mount	C-mount
Dimension	29 mm \times 29 mm \times 30 mm (1.1" \times 1.1" \times 1.2")
Weight	Approx. 80 g (0.2 lb.)
Ingress protection	IP40 (under proper lens installation and wiring)
Temperature	Working temperature: -10 $^{\circ}\text{C}$ to 50 $^{\circ}\text{C}$ (14 $^{\circ}\text{F}$ to 122 $^{\circ}\text{F}$) Storage temperature: -30 $^{\circ}\text{C}$ to 70 $^{\circ}\text{C}$ (-22 $^{\circ}\text{F}$ to 158 $^{\circ}\text{F}$)
Humidity	20% to 95% RH, non-condensing
General	
Client software	MVS or third-party software meeting with USB3.0 Vision Protocol
Operating system	32/64-bit Windows XP/7/10, 32/64-bit Linux and 64-bit MacOS
Compatibility	USB3 Vision, GenICam
Certification	CE, FCC, RoHS, KC

HIKROBOT

Hangzhou Hikrobot Co., Ltd.
en.hikrobotics.com

MaxxVision[®]

Sigmaringer Str. 121
70567 Stuttgart
Tel.: 0711 997 996 3
www.maxxvision.com

© Hangzhou Hikrobot Co., Ltd. All Rights Reserved.

Hangzhou Hikrobot does not tolerate any infringement. Any organization or individual may not imitate or reproduce in whole or in part of the content. The data herein is based on Hikrobot's internal evaluation. Actual data may vary depending on specific configuration and operating condition. The information herein is subject to change without notice. All the content has been checked conscientiously. Nevertheless, Hikrobot shall not be liable to damages resulting from errors, inconsistencies or omissions.