

MV-CH120-20UM

12 MP 1" CMOS USB3.0 Area Scan Camera



GEN*i*CAM

USBTM
VISION

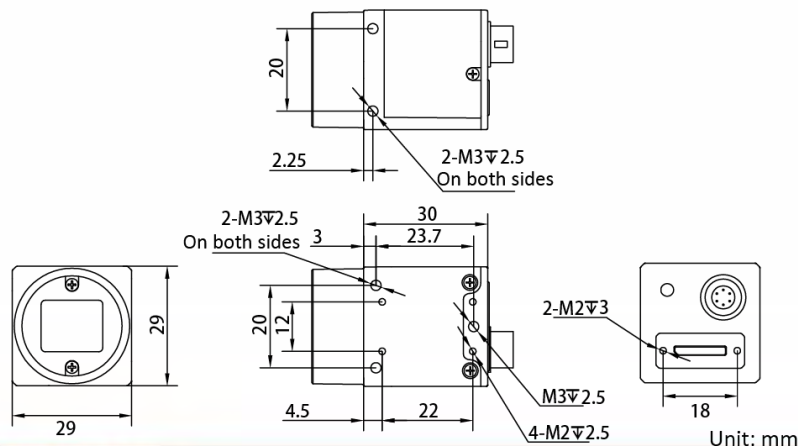
Introduction

MV-CH120-20UM camera adopts OnSemi XGS12000 sensor to provide high-quality images. It uses USB3.0 interface to transmit non-compressed images in real time, and its max. frame rate can reach 28 fps in full resolution.

Key Feature

- Compact design with mounting holes on panels for flexible mounting from 4 sides.
- Supports hard trigger, software trigger, free run, etc.
- Supports customized ROI, horizontal and vertical reverse image output.
- Adopts active alignment techniques for assembling.
- Supports auto or manual adjustment for gain, exposure time, Gamma correction, LUT, LSC, etc.
- Compatible with USB3 Vision Protocol, GenICam Standard, and the third-party software based on the protocol and standard.

Dimension



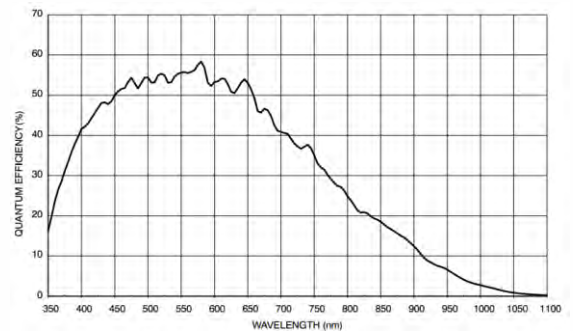
Available Model

MV-CH120-20UM

Applicable Industry

Electrical semiconductor, factory automation, bottle test for beverage and alcohol, medicine packing, etc.

Sensor Quantum Efficiency



Specification

Model	MV-CH120-20UM
Camera	
Sensor type	CMOS, global shutter
Sensor model	OnSemi XGS12000
Pixel size	3.2 μm \times 3.2 μm
Sensor size	1"
Resolution	4096 \times 3072
Max. frame rate	28 fps @4096 \times 3072
Dynamic range	68 dB
SNR	40 dB
Gain	0 dB to 18 dB
Exposure time	UltraShort exposure mode: 52 μs to 161 μs Standard exposure mode: 162 μs to 10 sec
Exposure mode	Off/Once/Continuous exposure mode
Mono/color	Mono
Pixel format	Mono 8/10/10p/12/12p
Binning	Supports 1 \times 1, 2 \times 2, 4 \times 4
Decimation	Supports 1 \times 1, 2 \times 2
Reverse image	Supports horizontal and vertical reverse image output
Electrical features	
Data interface	USB3.0, compatible with USB2.0
Digital I/O	6-pin Hirose connector provides power and I/O, including opto-isolated input \times 1 (Line 0), opto-isolated output \times 1 (Line 1), bi-directional non-isolated I/O \times 1 (Line 2).
Power supply	9 VDC to 24 VDC, supports USB3.0 power supply
Power consumption	Typ. 3.5 W@5 VDC (USB3.0 provides power supply)
Mechanical	
Lens mount	C-Mount
Dimension	29 mm \times 29 mm \times 30 mm (1.1" \times 1.1" \times 1.2")
Weight	Approx. 80 g (0.18 lb.)
Ingress protection	IP40 (under proper lens installation and wiring)
Temperature	Working temperature: 0 $^{\circ}\text{C}$ to 50 $^{\circ}\text{C}$ (32 $^{\circ}\text{F}$ to 122 $^{\circ}\text{F}$) Storage temperature: -30 $^{\circ}\text{C}$ to 70 $^{\circ}\text{C}$ (-22 $^{\circ}\text{F}$ to 158 $^{\circ}\text{F}$)
Humidity	20% to 80% RH, non-condensing
General	
Client software	MVS or third-party software meeting with USB3 Vision Protocol
Operating system	32/64-bit Windows XP/7/10, 32/64-bit Linux and 64-bit MacOS
Compatibility	USB3 Vision, GenICam
Certification	CE, FCC, RoHS, KC

HIKROBOT

Hangzhou Hikrobot Technology Co., Ltd.
No.399 Danfeng Road, Binjiang District, Hangzhou 310051, China.
en.hikrobotics.com

MaxxVision®

Sigmaringer Str. 121
70567 Stuttgart
Tel.: 0711 997 996 3
www.maxxvision.com

Copyright Hikrobot

Hangzhou Hikrobot Technology Co., Ltd. All Rights Reserved. Hangzhou Hikrobot Technology does not tolerate any infringement. Any organization or individual may not imitate or reproduce in whole or in part of the content. The data herein is based on Hikrobot's internal evaluation. Actual data may vary depending on specific configuration and operating condition. The information herein is subject to change without notice. All the content has been checked conscientiously. Nevertheless, Hikrobot shall not be liable to damages resulting from errors, inconsistencies or omissions.