

MV-CE200-11UM/UC

20 MP 1" CMOS USB3.0 Area Scan Camera



GEN*i*CAM

**USBTM
VISION**

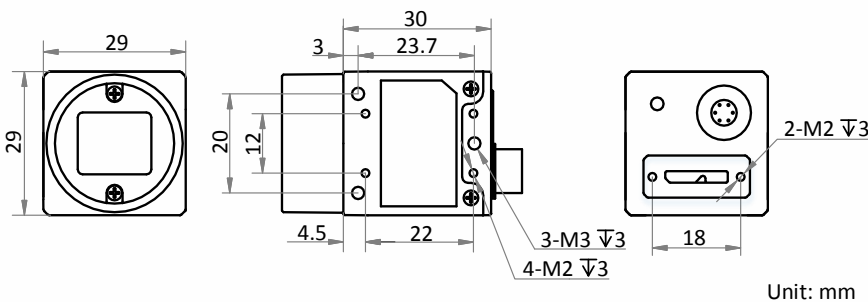
Introduction

MV-CE200-11UM/UC camera adopts Sony® IMX183 sensor to provide high-quality images. It uses USB3.0 interface to transmit images in real time, and its max. frame rate can reach 19.2 fps in full resolution.

Key Feature

- Supports auto or manual adjustment of gain, exposure time, and manual adjustment of Gamma correction, LUT.
- Supports hardware trigger, software trigger, and free run.
- Supports customized ROI to increase frame rate.
- Adopts compact design for small spatial installation.
- Compatible with USB3 Vision Protocol, GenCam Standard, and the third-party software based on the protocol and standard.

Dimension



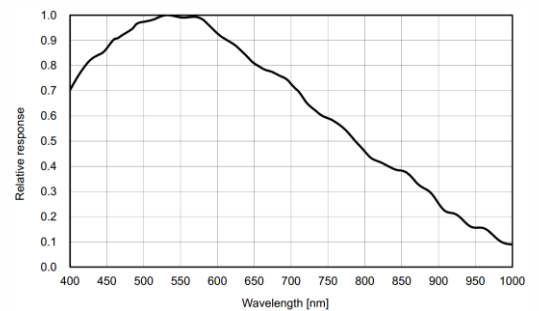
Available Model

- Mono camera: MV-CE200-11UM
- Color camera: MV-CE200-11UC

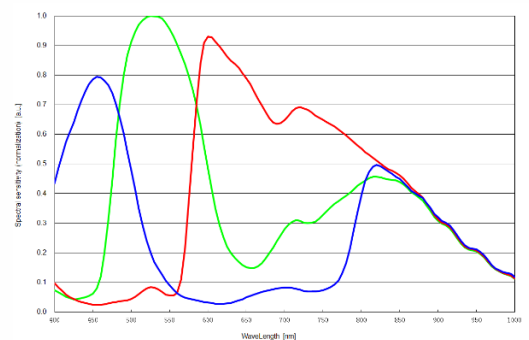
Applicable Industry

Electronics and semiconductor, factory automation, medicine package, etc.

Sensor Quantum Efficiency



MV-CE200-11UM



MV-CE200-11UC



Specification

Model	MV-CE200-11UM	MV-CE200-11UC
Camera		
Sensor type	CMOS, rolling shutter	
Sensor model	Sony® IMX183	
Pixel size	2.4 μm × 2.4 μm	
Sensor size	1"	
Resolution	5472 × 3648	
Max. frame rate	19.2 fps @5472 × 3648	
Dynamic range	65.5 dB	
SNR	41.5 dB	
Gain	0 dB to 20 dB	
Exposure time	28 μs to 0.7 sec	28 μs to 0.62 sec
Exposure mode	Off/Once/Continuous exposure mode, supports Global Reset	
Mono/color	Mono	Color
Pixel format	Mono 8/10/10Packed/12/12Packed	Bayer GB 8/10/10Packed/12/12Packed
Binning	Supports 1 × 1, 2 × 2, 4 × 4	Not support
Decimation	Supports 1 × 1, 2 × 2, 4 × 4	Not support
Reverse image	Supports horizontal reverse image output	
Electrical features		
Data interface	USB3.0, compatible with USB2.0	
Digital I/O	6-pin P7 connector provides power and I/O, including opto-isolated input × 1 (Line 0), opto-isolated output × 1 (Line 1), bi-directional non-isolated I/O × 1 (Line 2).	
Power supply	9 VDC to 24 VDC, supports USB3.0 power supply	
Power consumption	Typ. 2.83 W@5 VDC (USB3.0 provides power supply)	Typ. 2.67 W@5 VDC (USB3.0 provides power supply)
Mechanical		
Lens mount	C-Mount	
Dimension	29 mm × 29 mm × 30 mm (1.1" × 1.1" × 1.2")	
Weight	Approx. 80 g (0.2 lb.)	
Ingress protection	IP30 (under proper lens installation and wiring)	
Temperature	Working temperature: 0 °C to 50 °C (32 °F to 122 °F) Storage temperature: -30 °C to 70 °C (-22 °F to 158 °F)	
Humidity	20% to 80% RH, non-condensing	
General		
Client software	MVS or third-party software meeting with USB3 Vision Protocol	
Operating system	32/64-bit Windows XP/7/10, 32/64-bit Linux and 64-bit MacOS	
Compatibility	USB3 Vision, GenICam	
Certification	CE, FCC, RoHS, KC	

MaxxVision®

Sigmaringer Str. 121

70567 Stuttgart

Tel.: 0711 997 996 3

www.maxxvision.com

HIKROBOT

Hangzhou Hikrobot Technology Co., Ltd.

No.399 Danfeng Road, Binjiang District, Hangzhou 310051, China.

en.hikrobotics.com

Copyright Hikrobot

Hangzhou Hikrobot Technology Co., Ltd. All Rights Reserved. Hangzhou Hikrobot Technology does not tolerate any infringement. Any organization or individual may not imitate or reproduce in whole or in part of the content. The data herein is based on Hikrobot's internal evaluation. Actual data may vary depending on specific configuration and operating condition. The information herein is subject to change without notice. All the content has been checked conscientiously. Nevertheless, Hikrobot shall not be liable to damages resulting from errors, inconsistencies or omissions.