

MV-CL086-91GC

8192 P CMOS GigE Line Scan Camera



GEN<i>i>CAM

GIGEVISION

Introduction

MV-CL086-91GC camera adopts CMOS sensor to provide high-quality image, and uses GigE interface to transmit images in real time. It adopts multiple ISP image algorithms and functions, and supports external trigger modes like line trigger, frame trigger, and trigger-width exposure.

Key Feature

- Supports image compression mode, TDI, trigger-width exposure, RGB true color etc.
- Supports manual adjustment for Gamma correction, white balance, PRNUC correction, LUT, black level, space correction, etc.
- Adopts bi-directional I/O hardware design.
- Compact design and flexible installation.
- Compatible with GigE Vision V2.0 and GenICam standard.

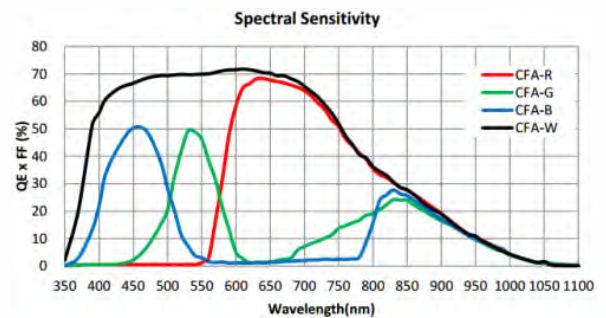
Available Model

MV-CL086-91GC

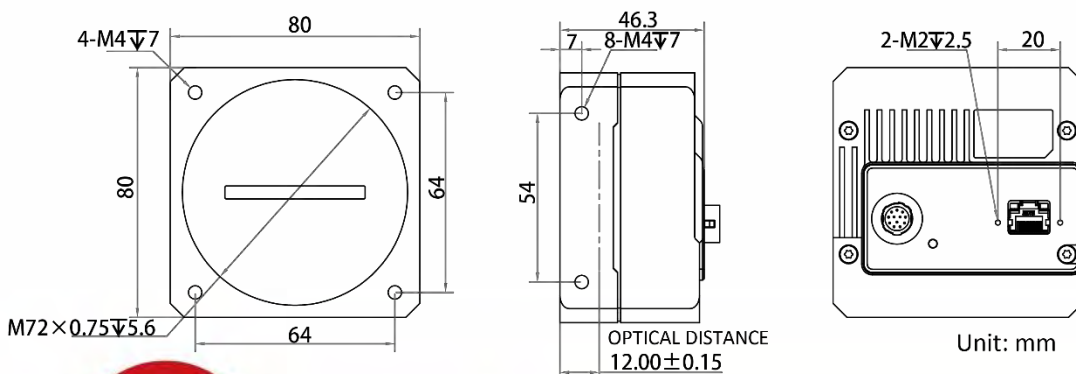
Applicable Industry

Printing, textiles, railway, logistics, metallurgy, food, pharmaceutical manufacturing, material sorting, etc.

Sensor Quantum Efficiency



Dimension



Specification

| | |
|------------------------------|---|
| Model | MV-CL086-91GC |
| Camera | |
| Sensor type | CMOS |
| Pixel size | 5 μ m |
| Resolution | 8192 \times 6 |
| Image mode | Supports 1-line, 2-TDI |
| Max. line rate | 14 kHz @Bayer 8/Mono 8, 7 kHz @Bayer 10/Mono 10, 4.7 kHz @RGB 8/BGR 8 Image compression mode: 40 kHz @Bayer 8, 20 kHz @Bayer 10, 14 kHz @RGB 8 |
| Dynamic range | 54.8 dB |
| SNR | 40.3 dB |
| Gain | Supports 1.2 \times , 2.7 \times , 4.6 \times |
| Exposure time | 3 μ s to 10 ms |
| Exposure mode | Off/ Once/ Continuous exposure mode, and supports trigger-width exposure |
| Mono/color | Color |
| Pixel format | Mono 8/10, Bayer RG 8/10, RGB 8, BGR 8 |
| Binning | Not support |
| Reverse image | Supports horizontal reverse image output |
| Trigger mode | External trigger, internal trigger |
| External trigger mode | Line trigger, frame trigger, line + frame trigger |
| Electrical feature | |
| Data interface | Gigabit Ethernet, compatible with Fast Ethernet |
| Digital I/O | 12-pin Hirose connector provides power and I/O: configurable input or output \times 4 (Line 0/1/3/4) and support single-ended/differential |
| Power supply | 12 VDC to 24 VDC |
| Power consumption | Typ. 13.0 W@12 VDC |
| Mechanical | |
| Lens mount | M72 *0.75, optical back focal length: 12 mm (0.5") |
| Dimension | 80 mm \times 80 mm \times 46.3 mm (3.1" \times 3.1" \times 1.8") |
| Weight | Approx. 465 g (1.0 lb.) |
| Ingress protection | IP40 (under proper lens installation and wiring) |
| Temperature | Working temperature: -20 $^{\circ}$ C to 55 $^{\circ}$ C (-4 $^{\circ}$ F to 131 $^{\circ}$ F) Storage temperature: -30 $^{\circ}$ C to 80 $^{\circ}$ C (-22 $^{\circ}$ F to 176 $^{\circ}$ F) |
| Humidity | 5% to 90% RH, non-condensing |
| General | |
| Client software | MVS or the third-party software meeting with GigE Vision protocol |
| Operating system | 32/64-bit Windows XP/7/10, 32/64-bit Linux, and 64-bit MacOS |
| Compatibility | GigE Vision V2.0, GenICam |
| Certification | CE, FCC, RoHS, KC |

HIKROBOT

Hangzhou Hikrobot Technology Co., Ltd.
No.399 Danfeng Road, Binjiang District, Hangzhou 310051, China.
en.hikrobotics.com

MaxxVision[®]

Sigmaringer Str. 121
70567 Stuttgart

Tel.: 0711 997 996 3

www.maxxvision.com

Copyright Hikrobot

Hangzhou Hikrobot Technology Co., Ltd. All Rights Reserved. Hangzhou Hikrobot Technology does not tolerate any infringement. Any organization or individual may not imitate or reproduce in whole or in part of the content. The data herein is based on Hikrobot's internal evaluation. Actual data may vary depending on specific configuration and operating condition. The information herein is subject to change without notice. All the content has been checked conscientiously. Nevertheless, Hikrobot shall not be liable to damages resulting from errors, inconsistencies or omissions.