

MV-CS050-20GM/GC

5 MP 2/3" CMOS GigE Area Scan Camera



GEN*i*CAM

GigE
VISION

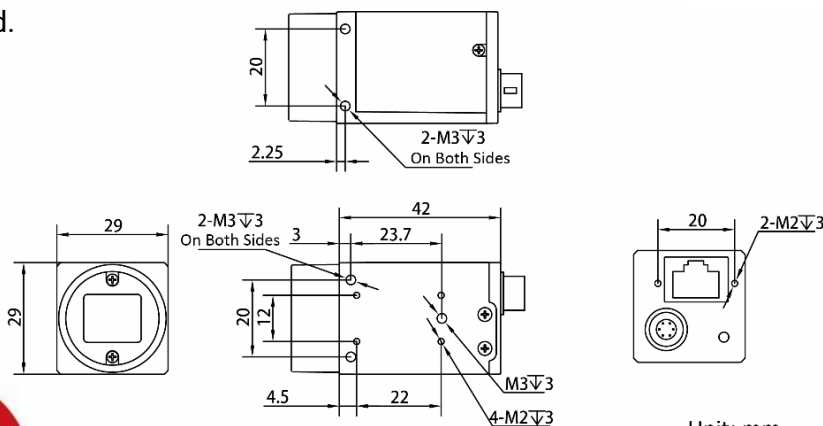
Introduction

With GigE interface, MV-CS050-20GM/GC camera adopts OnSemi XGS5000 sensor to provide high-quality images and transmit images in real time, and its max. frame rate can reach 22.7 fps in full resolution.

Key Feature

- Adopts brand new design to reduce power consumption.
- Supports contrast ratio function to adjust image clarity.
- Supports auto or manual adjustment for gain, exposure control, LUT, Gamma correction, etc.
- Compact design with mounting holes on panels for flexible mounting from 4 sides.
- Adopts GigE interface and max. transmission distance of 100 meters without relay.
- Compatible with GigE Vision V2.0 Protocol, GenICam Standard, and third-party software based on the protocol and standard.

Dimension



Available Model

- Mono camera: MV-CS050-20GM
- Color camera: MV-CS050-20GC

Applicable Industry

SMT/ PCB AOI, consumer electronics, electrical semiconductor, etc.

Sensor Quantum Efficiency

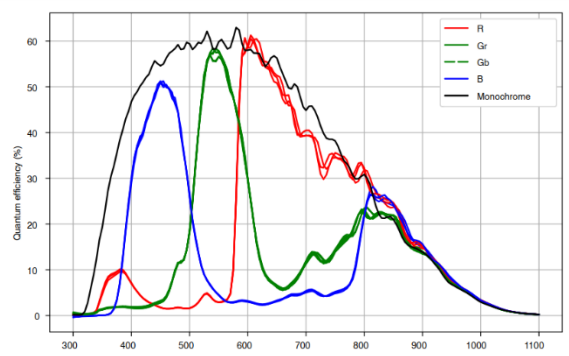


Figure 57. Quantum Efficiency (Mono)

Unit: mm



Specification

Model	MV-CS050-20GM	MV-CS050-20GC
Camera		
Sensor type	CMOS, global shutter	
Sensor model	OnSemi XGS5000	
Pixel size	3.2 μm \times 3.2 μm	
Sensor size	2/3"	
Resolution	2592 \times 2048	
Max. frame rate	22.7 fps @2592 \times 2048	
Dynamic range	66 dB	
SNR	39.6 dB	
Gain	0 dB to 18 dB	
Exposure time	UltraShort exposure mode: 23 μs to 99 μs	
	Standard exposure mode: 100 μs to 10 sec	
Exposure mode	Off/Once/Continuous exposure mode	
Mono/color	Mono	Color
Pixel format	Mono 8/10/10Packed/12/12Packed	Mono 8/10/12, Bayer RG 8/10/10Packed/12/12Packed, YUV422Packed, YUV422_YUYV_Packed, RGB 8, BGR 8
Binning	Supports 1 \times 1, 2 \times 2, 4 \times 4	
Decimation	Supports 1 \times 1, 2 \times 2	
Reverse image	Supports horizontal and vertical reverse image output	
Electrical features		
Data interface	Gigabit Ethernet, compatible with Fast Ethernet	
Digital I/O	6-pin P7 connector provides power and I/O, including opto-isolated input \times 1 (Line 0), opto-isolated output \times 1 (Line 1), bi-directional non-isolated I/O \times 1 (Line 2).	
Power supply	9 VDC to 24 VDC, supports PoE	
Power consumption	Typ. 2.5 W@12 VDC	Typ. 2.7 W@12 VDC
Mechanical		
Lens mount	C-Mount	
Dimension	29 mm \times 29 mm \times 42 mm (1.1" \times 1.1" \times 1.2")	
Weight	Approx. 100 g (0.22 lb.)	
Ingress protection	IP40 (under proper lens installation and wiring)	
Temperature	Working temperature: -30 $^{\circ}\text{C}$ to 60 $^{\circ}\text{C}$ (-22 $^{\circ}\text{F}$ to 140 $^{\circ}\text{F}$)	
	Storage temperature: -30 $^{\circ}\text{C}$ to 70 $^{\circ}\text{C}$ (-22 $^{\circ}\text{F}$ to 158 $^{\circ}\text{F}$)	
Humidity	20% to 95% RH, non-condensing	
General		
Client software	MVS or third-party software meeting with GigE Vision Protocol	
Operating system	32/64-bit Windows XP/7/10, 32/64-bit Linux and 64-bit MacOS	
Compatibility	GigE Vision V2.0, GenICam	
Certification	CE, FCC, RoHS, KC	

HIKROBOT

Hangzhou Hikrobot Co., Ltd.
en.hikrobotics.com

MaxxVision[®]

Sigmaringer Str. 121
70567 Stuttgart
Tel.: 0711 997 996 3
www.maxxvision.com

© Hangzhou Hikrobot Co., Ltd. All Rights Reserved.

Hangzhou Hikrobot does not tolerate any infringement. Any organization or individual may not imitate or reproduce in whole or in part of the content. The data herein is based on Hikrobot's internal evaluation. Actual data may vary depending on specific configuration and operating condition. The information herein is subject to change without notice. All the content has been checked conscientiously. Nevertheless, Hikrobot shall not be liable to damages resulting from errors, inconsistencies or omissions.