

MV-CH120-11GM

12 MP 1.1" CMOS GigE Area Scan Camera



GEN*i*CAM

GIG*E* VISION

Introduction

MV-CH120-11GM camera adopts Sony® IMX304 sensor to provide high-quality image. It uses GigE interface to transmit non-compressed images in real time, and its max. frame rate can reach 9.8 fps in full resolution.

Key Feature

- Supports auto and manual adjustment for gain, exposure time, LUT, Gamma correction, etc.
- Adopts GigE interface and max. transmission distance of 100 meters without relay.
- Compact design with mounting holes on panels for flexible mounting from 4 sides.
- Compatible with GigE Vision V2.0 Protocol, GenICam Standard, and the third-party software based on the protocol and standard.

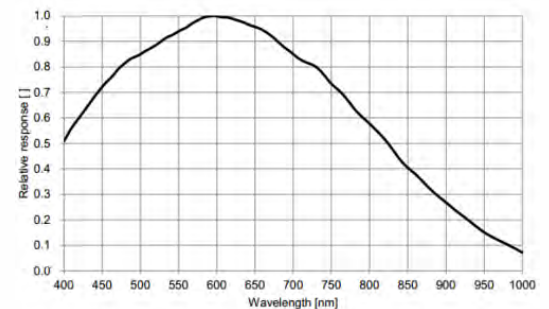
Available Model

MV-CH120-11GM

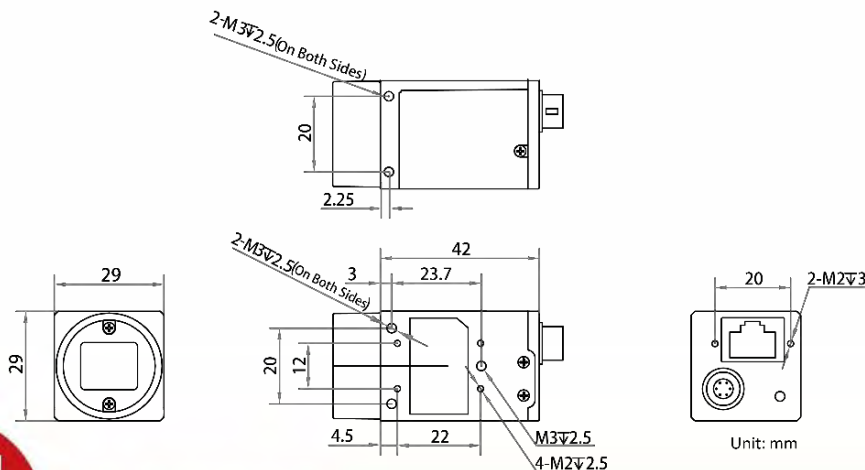
Applicable Industry

Electronic semiconductor, factory automation, logistics, etc.

Sensor Quantum Efficiency



Dimension



Specification

Model	MV-CH120-11GM
Camera	
Sensor type	CMOS, global shutter
Sensor model	Sony® IMX304
Pixel size	3.45 μm × 3.45 μm
Sensor size	1.1"
Resolution	4096 × 3000
Max. frame rate	9.8 fps @4096 × 3000
Dynamic range	72.2 dB
SNR	40.2 dB
Gain	0 dB to 20 dB
Exposure time	UltraShort exposure mode: 1 μs to 14 μs Standard exposure mode: 15 μs to 10 sec
Exposure mode	Off/Once/Continuous exposure mode
Mono/color	Mono
Pixel format	Mono 8/10/10p/12/12p
Binning	Supports 1 × 1, 2 × 1, 1 × 2, 2 × 2, 1 × 4, 4 × 1, 2 × 4, 4 × 2, 4 × 4
Decimation	Supports 1 × 1, 2 × 1, 1 × 2, 2 × 2
Reverse image	Supports horizontal and vertical reverse image output
Electrical feature	
Data interface	Gigabit Ethernet, compatible with Fast Ethernet
Digital I/O	6-pin Hirose connector provides power and I/O, including opto-isolated input × 1 (Line 0), opto-isolated output × 1 (Line 1), bi-directional non-isolated I/O × 1 (Line 2).
Power supply	9 VDC to 24 VDC, supports PoE
Power consumption	Typ. 4.2 W@12 VDC
Mechanical	
Lens mount	C-Mount
Dimension	29 mm × 29 mm × 42 mm (1.1" × 1.1" × 1.7")
Weight	Approx. 100 g (0.2 lb.)
Ingress protection	IP30 (under proper lens installation and wiring)
Temperature	Working temperature: 0 °C to 50 °C (32 °F to 122 °F) Storage temperature: -30 °C to 70 °C (-22 °F to 158 °F)
Humidity	20% to 80% RH, non-condensing
General	
Client software	MVS or third-party software meeting with GigE Vision Protocol
Operating system	32/64-bit Windows XP/7/10, 32/64-bit Linux and 64-bit MacOS
Compatibility	GigE Vision 2.0, GenICam
Certification	CE, FCC, RoHS, KC

MaxxVision®

Sigmaringer Str. 121

70567 Stuttgart

Tel.: 0711 997 996 3

www.maxxvision.com

HIKROBOT

Hangzhou Hikrobot Technology Co., Ltd.

No.399 Danfeng Road, Binjiang District, Hangzhou 310051, China.

en.hikrobotics.com

Copyright Hikrobot

Hangzhou Hikrobot Technology Co., Ltd. All Rights Reserved. Hangzhou Hikrobot Technology does not tolerate any infringement. Any organization or individual may not imitate or reproduce in whole or in part of the content. The data herein is based on Hikrobot's internal evaluation. Actual data may vary depending on specific configuration and operating condition. The information herein is subject to change without notice. All the content has been checked conscientiously. Nevertheless, Hikrobot shall not be liable to damages resulting from errors, inconsistencies or omissions.