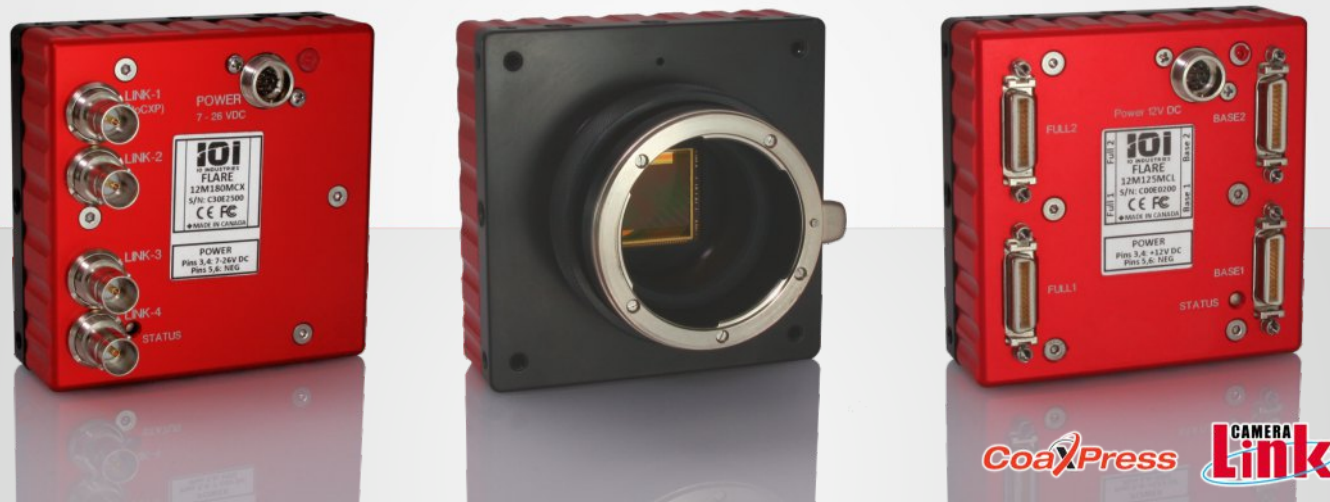


Flare™

12MP CAMERAS



Video cameras with CMOSIS CMV12000 Sensors

APPLICATIONS

Automated Inspection

High Speed Motion Analysis

Research Imaging

Specialty Video Production



FEATURES INCLUDE:

- Monochrome and Color Models
- Global Shutter CMOS with CDS
- CoaXPress or Camera Link Output
- Multiple Lens Mount Options
- Selectable 8-bit or 10-bit Data Formats
- High Sensitivity with Low Noise
- Advanced Auto Exposure Control
- Auto White Balance

SPECIFICATIONS

| | |
|---------------------------------------|--|
| Camera Model | Flare 12MP |
| Sensor Size (H x V) | 4096 x 3072 |
| Frame rate (full resolution) | CX: 187 fps (8-bit), 149 fps (10-bit) CL: 124 fps (8-bit), 100 fps (10-bit) |
| Optical Format | Super 35mm / APS-C (28.1mm diagonal) |
| Sensor Type | CMOS w. global electronic shutter |
| Sensor Options | Monochrome or Color (Bayer) |
| Pixel Size | 5.5 x 5.5µm |
| Dynamic Range / Sensitivity | 60 dB, 4.64 V/lux.s |
| Output Configurations | CX: 1/2/4 links at 3.125Gbps (CXP-3), 5.0Gbps (CXP-5) or 6.25Gbps (CXP-6) CL: Base, Medium, Full, Full 80-bit, Dual Full 80-bit (80MHz Pixel Clock) |
| Pixel Bit Depth | 8-bit or 10-bit |
| Exposure Control | Trigger width, timed, or auto-exposure control |
| Image Correction | Black level, row and column-based FPN/PRNU correction, bad pixel replacement |
| Color Processing | Auto white balance (tracking or manual), programmable LUTs |
| Camera Configuration | GenICam (CX), ASCII commands (CL), or Flare Control software |
| Flat Field Correction | Available for CX camera models |
| Mechanical/Electrical | |
| Dimensions | 91.7 mm x 91.7mm x 74.5 mm (with F-mount) |
| Lens Mount | F-mount, Active EF-mount, C-mount or T-mount (M42 x 0.75) |
| Weight | 600g (with F-mount) |
| Power Requirements | CX: 9.5W, 7-26V DC via Hirose 12-pin or 24V via PoCXP CL: 7.5W, 12V DC via Hirose 12-pin |
| Additional I/O (Hirose 12-pin) | TTL-level trigger input/output, EF-mount lens control interface |
| Operating Temperature | -30°C to 45°C, 20-85% humidity (non-condensing) |
| Storage Temperature | -40°C to 85°C, 10-90% humidity (non-condensing) |

ORDERING

Example: 12M180MCX-F

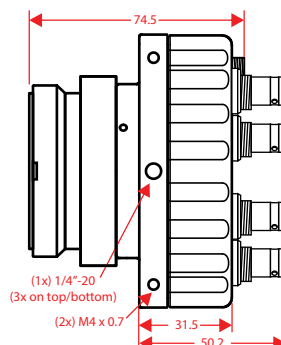
| | |
|----------------------------|------------------|
| Camera | Lens Type |
| 12M180 (CX) | F - F-mount |
| 12M125 (CL) | C - C-mount |
| | M - M42 x 0.75 |
| Sensor Type | Interface |
| M - Monochrome | CX - CoaXPress |
| C - Color (with IR filter) | CL - Camera Link |

FRAME RATE CHART

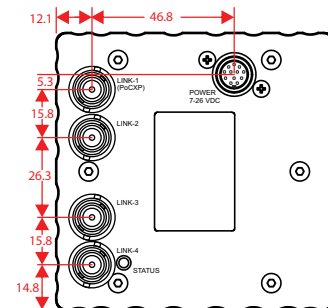
| Frame Rates by Resolution and Bit Depth | 12M180xCX (4x CXP-6) | | 12M125xCL (2x Full 80-bit) | |
|---|----------------------|--------|----------------------------|--------|
| | 8-bit | 10-bit | 8-bit | 10-bit |
| 4096 x 3072 | 187 | 149 | 124 | 100 |
| 4096 x 2160 (4K) | 266 | 212 | 175 | 141 |
| 3360 x 2496 | 231 | 184 | 152 | 122 |
| 2048 x 2048 | 500 | 447 | 370 | 296 |
| 1920 x 1080 | 935 | 838 | 692 | 555 |
| 1000 x 1000 | 1008 | 903 | 924 | 829 |
| 1280 x 720 | 1384 | 1242 | 1268 | 1139 |
| 640 x 480 | 2032 | 1827 | 1863 | 1677 |

MECHANICAL DIAGRAMS

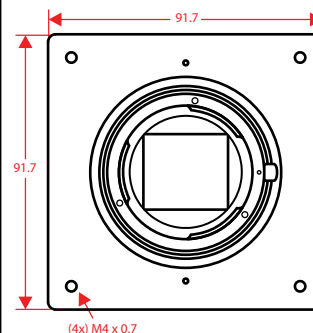
Side (CoaXPress F-Mount Model)



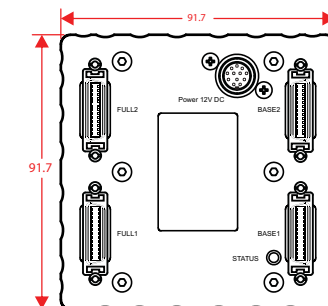
Rear (CoaXPress Model)



Front



Rear (Camera Link Model)



MaxxVision®

Sigmaringer Str. 121
70567 Stuttgart
Tel: +711 997 996 3
maxxvision.com

LET'S STAY CONNECTED!



@IOINDUSTRIES



@IOINDUSTRIES



@IO-INDUSTRIES

Copyright © 2019 IO Industries Inc. Flare is a trademark of IO Industries. All other trademarks are the property of their respective owners.

Datasheet Rev. 3.4 (11/08/2019)
Specifications subject to change without notice