

MV-CH1510-10(11)XM/XC

151 MP CMOS CoaXPress Area Scan Camera



GEN*i*CAM

CoaXPress®

Introduction

MV-CH1510-10(11)XM/XC adopts Sony® IMX411 sensor to provide high-quality images. It uses CXP-6 interface to transmit non-compressed images in real time, and its max. frame rate can reach 6.2 fps in full resolution.

Key Feature

- Resolution of 14208 × 10640, pixel size of 3.76 μm × 3.76 μm.
- Adopts rolling shutter CMOS to provide high dynamic range, SNR, and high-quality images.
- Adopts CXP-6 interface to transmit data.
- Supports the flat field correction.
- Compatible with CoaXPress Protocol, GenICam Standard, third-party software based on the protocol and standard.

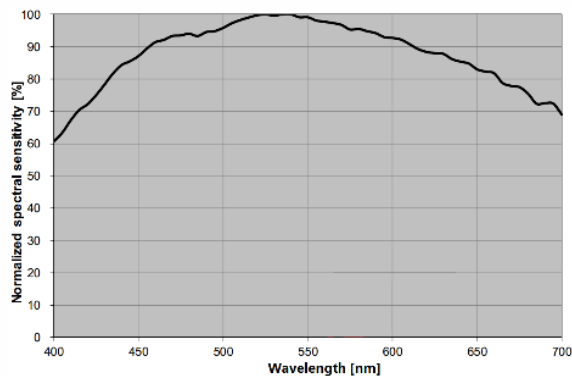
Available Model

- Mono camera with fan: MV-CH1510-10XM-M72-NF
- Color camera with fan: MV-CH1510-10XC-M72-NF
- Mono camera with TEC: MV-CH1510-11XM-M72-TF
- Color camera with TEC: MV-CH1510-11XC-M72-TF

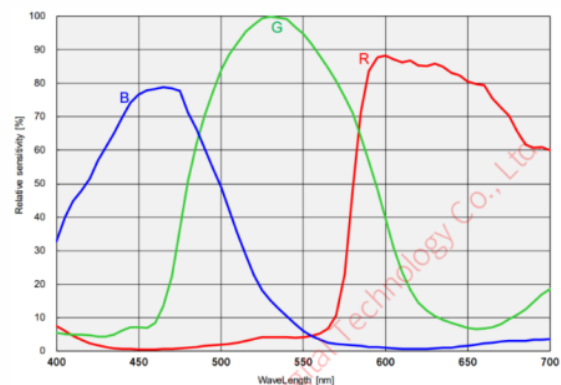
Applicable Industry

PCB AOI, FPD, aerial photography, file scan, etc.

Sensor Quantum Efficiency



MV-CH1510-10(11)XM



MV-CH1510-10(11)XC

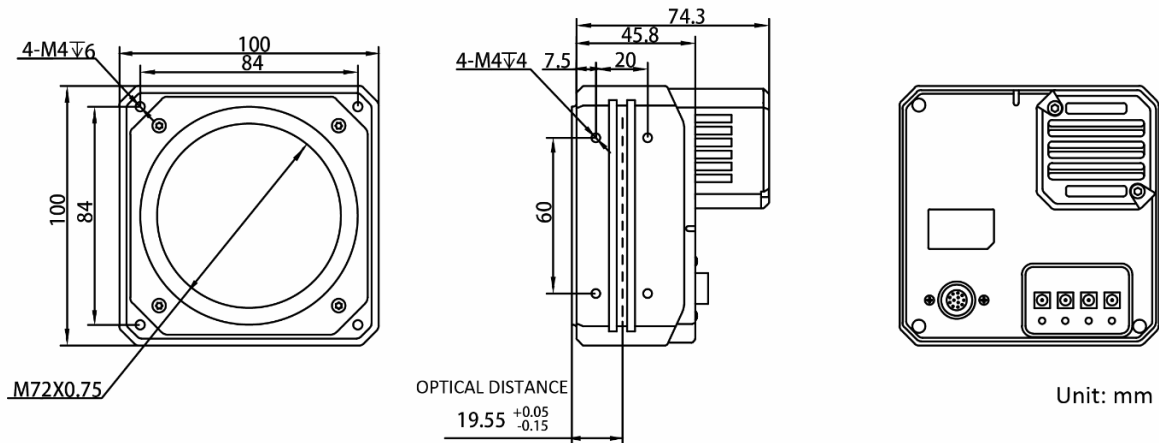


Specification

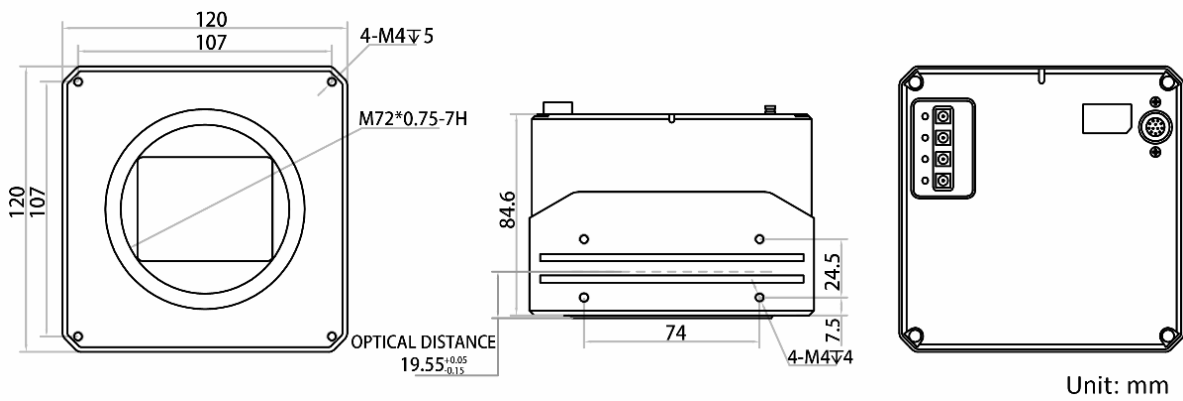
Model	MV-CH1510-10(11)XM	MV-CH1510-10(11)XC
Camera		
Sensor type	CMOS, rolling shutter	
Sensor model	Sony® IMX411	
Pixel size	3.76 μm × 3.76 μm	
Sensor size	66.7 mm	
Resolution	14208 × 10640	
Max. frame rate	6.2 fps @14208 × 10640	
Dynamic range	78.7 dB	
SNR	46.4 dB	
Gain	0 dB to 30 dB	0 dB to 36 dB
Exposure time	15 μs to 10 sec	
Exposure mode	Off/Once/Continuous exposure mode, supports Global Reset, Rolling	
Mono/color	Mono	Color
Pixel format	Mono 8/10/12/16	Mono 8/10/12/16, Bayer RG 8/10/12/16, RGB 8
Binning	Supports 1 × 1, 1 × 2, 1 × 4, 2 × 1, 2 × 2, 2 × 4, 4 × 1, 4 × 2, 4 × 4	
Decimation	Not support	
Reverse image	Supports horizontal reverse image output	
Electrical feature		
Data interface	CoaXPress with DIN interface	
Digital I/O	12-pin Hirose connector provides power and I/O, including opto-isolated input × 1 (Line 0), opto-isolated output × 1 (Line 1), bi-directional non-isolated I/O × 1 (Line 2), and RS-232 × 1	
Power supply	Camera with fan: 12 VDC to 24 VDC Camera with TEC: 24 VDC	
Power consumption	Camera with fan: typ. 18 W@24 VDC Camera with TEC non-cooling: typ. 21 W@24 VDC Camera with TEC cooling: typ. 55 W@24 VDC	Camera with fan: typ. 21 W@24 VDC Camera with TEC non-cooling: typ. 22 W@24 VDC Camera with TEC cooling: typ. 60 W@24 VDC
Mechanical		
Lens mount	M72*0.75, optical back focal length 19.55 mm (0.8")	
Dimension	Camera with fan: 100 mm × 100 mm × 74.3 mm (3.9" × 3.9" × 2.9") Camera with TEC: 120 mm × 120 mm × 84.6 mm (4.7" × 4.7" × 3.3")	
Weight	Camera with fan: approx. 1 kg (2.2 lb.) Camera with TEC: approx. 1.9 kg (4.2 lb.)	
Ingress protection	IP40 (under proper lens installation and wiring)	
Temperature	Working temperature: 0 °C to 50 °C (32 °F to 122 °F) Storage temperature: -30 °C to 70 °C (-22 °F to 158 °F)	
Humidity	20% to 95% RH, non-condensing	
General		
Client software	Frame grabber software meeting with CoaXPress Protocol	
Operating system	32/64-bit Windows 7/10 with 8 GB memory or above	
Compatibility	CoaXPress, GenICam	
Certification	CE, FCC, RoHS, KC	

Dimension

Camera with fan



Camera with TEC:



HIKROBOT

Hangzhou Hikrobot Technology Co., Ltd.
No.399 Danfeng Road, Binjiang District, Hangzhou 310051, China.
en.hikrobotics.com

MaxxVision®

Sigmaringer Str. 121
70567 Stuttgart
Tel.: 0711 997 996 3
www.maxxvision.com

Copyright Hikrobot

Hangzhou Hikrobot Technology Co., Ltd. All Rights Reserved. Hangzhou Hikrobot Technology does not tolerate any infringement. Any organization or individual may not imitate or reproduce in whole or in part of the content. The data herein is based on Hikrobot's internal evaluation. Actual data may vary depending on specific configuration and operating condition. The information herein is subject to change without notice. All the content has been checked conscientiously. Nevertheless, Hikrobot shall not be liable to damages resulting from errors, inconsistencies or omissions.