

MV-CH250-20CM

25 MP CMOS Camera Link Area Scan Camera



GEN*i*CAM



Introduction

MV-CH250-20CM camera adopts OnSemi Python25K sensor and Camera Link interface to provide high quality and non-compressed images in real time. Its max. frame rate reaches up to 31.3 fps in full resolution.

Key Feature

- Resolution of 5120 × 5120 and pixel size of 4.5 μm × 4.5 μm.
- Adopts global shutter CMOS sensor providing wide dynamic range and high-quality image.
- Supports configuration modes of Full and 80-bit via the Camera Link interface.
- Adopts compact design with mounting holes for flexible mounting.

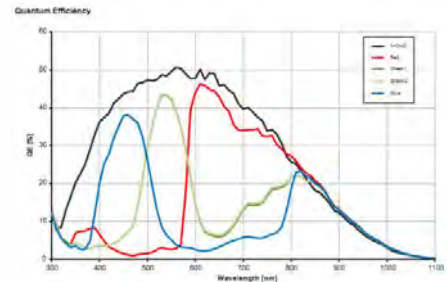
Available Model

MV-CH250-20CM-M58S-NN

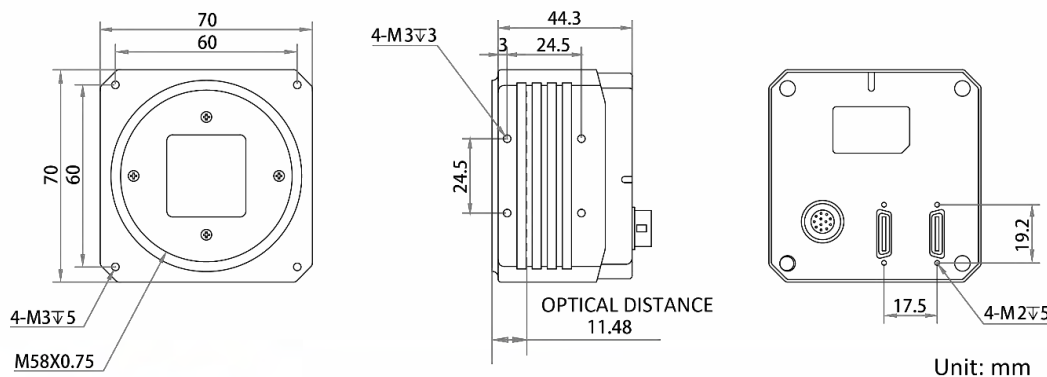
Applicable Industry

SMT/ PCB AOI, FPD, high-accuracy measurement, etc.

Sensor Quantum Efficiency



Dimension



Specification

Model	MV-CH250-20CM
Camera	
Sensor type	CMOS, global shutter
Sensor model	OnSemi Python25K
Pixel size	4.5 μm \times 4.5 μm
Sensor size	23 mm \times 23 mm
Resolution	5120 \times 5120
Configuration mode	Full, 80-bit
Tap geometry	8X_1Y, 10X_1Y
Tap number	8 Taps, 10 Taps
Max. frame rate	31.3 fps @5120 \times 5120
Pixel clock	60 MHz, 70 MHz, 85 MHz
Dynamic range	59 dB
SNR	41 dB
Gain	0 dB to 32 dB
Exposure time	45 μs to 10 sec
Mono/color	Mono
Pixel format	Mono 8
Exposure mode	Off/Once/Continuous exposure mode
Binning	Not support
Decimation	Not support
Reverse image	Supports horizontal and vertical reverse image output
Electrical feature	
Data interface	Camera Link with SDR interface
Digital I/O	12-pin Hirose connector provides power and I/O, including opto-isolated input \times 1 (Line 0), opto-isolated output \times 1 (Line 1), bi-directional non-isolated I/O \times 1 (Line 2), RS-232 \times 1
Power supply	9 VDC to 24 VDC
Power consumption	Typ. 9.4 W@24 VDC
Mechanical	
Lens mount	M58-Mount, optical back focal length 11.48 mm (0.5")
Dimension	70 mm \times 70 mm \times 44.3 mm (2.8" \times 2.8" \times 1.7")
Weight	Approx. 380 g (0.8 lb.)
Ingress protection	IP40 (under proper lens installation and wiring)
Temperature	Working temperature: 0 $^{\circ}\text{C}$ to 50 $^{\circ}\text{C}$ (32 $^{\circ}\text{F}$ to 122 $^{\circ}\text{F}$) Storage temperature: -30 $^{\circ}\text{C}$ to 70 $^{\circ}\text{C}$ (-22 $^{\circ}\text{F}$ to 158 $^{\circ}\text{F}$)
Humidity	20% to 95% RH, non-condensing
General	
Client software	MVS or frame grabber software meeting with GenICam Protocol
Operating system	32/64-bit Windows XP/7/10
Compatibility	Camera Link V2.0, GenICam
Certification	CE, FCC, RoHS, KC

HIKROBOT

Hangzhou Hikrobot Technology Co., Ltd.
No.399 Danfeng Road, Binjiang District, Hangzhou 310051, China.
en.hikrobotics.com

MaxxVision®

Sigmaringer Str. 121
70567 Stuttgart
Tel.: 0711 997 996 3
www.maxxvision.com

Copyright Hikrobot

Hangzhou Hikrobot Technology Co., Ltd. All Rights Reserved. Hangzhou Hikrobot Technology does not tolerate any infringement. Any organization or individual may not imitate or reproduce in whole or in part of the content. The data herein is based on Hikrobot's internal evaluation. Actual data may vary depending on specific configuration and operating condition. The information herein is subject to change without notice. All the content has been checked conscientiously. Nevertheless, Hikrobot shall not be liable to damages resulting from errors, inconsistencies or omissions.