

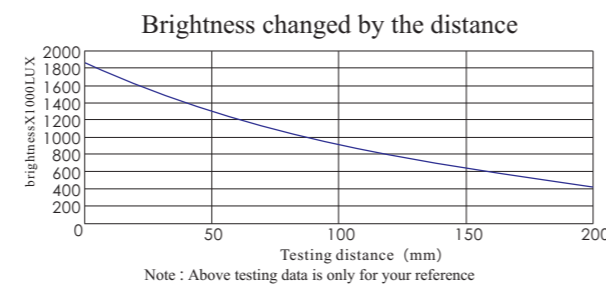
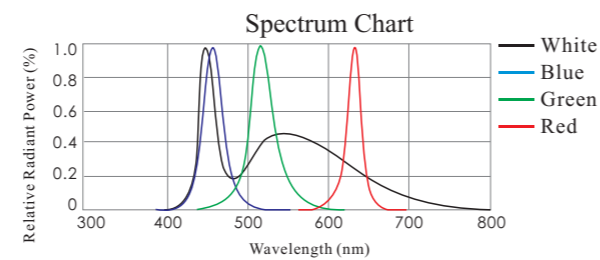
## Model Table

No.	Model	Output power	Color	Number of channels	Recommended controller
1	OPT-LSS62F	0.7A/16.8W	○	1	OPT-DPA6024
2	OPT-LSS104F	1.4A/33.8W	○	1	OPT-DPA6024
3	OPT-LSS146F	2.1A/50.4W	○	1	OPT-DPA6024
4	OPT-LSS188F	2.8A/67.2W	○	1	OPT-DPA6024
5	OPT-LSS230F	3.5A/84W	○	1	OPT-DPA6024
6	OPT-LSS272F	4.2A/100.8W	○	1	OPT-DPA6024
7	OPT-LSS356F	5.6A/134.4W	○	2	OPT-DPA6024
8	OPT-LSS440F	7.0A/168W	○	2	OPT-DPA6024

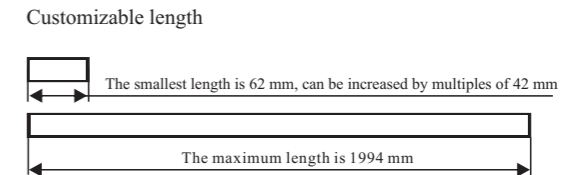
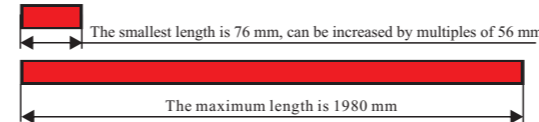
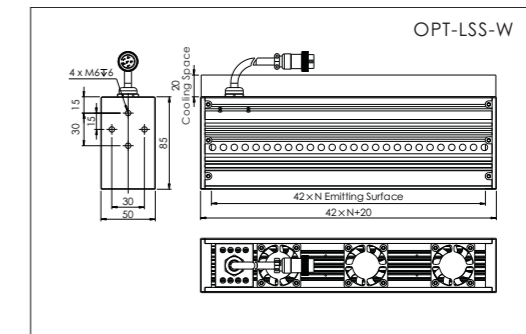
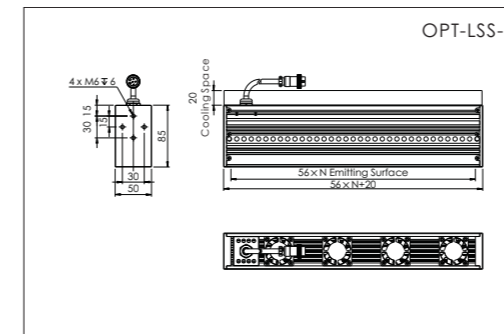
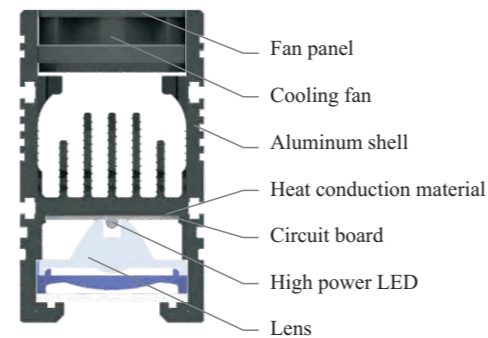
No.	Model	Power output	Color	Number of channels	Recommended controller
9	OPT-LSS76F	0.7A/16.8W	●	1	OPT-DPA6024
10	OPT-LSS132F	1.4A/33.8W	●	1	OPT-DPA6024
11	OPT-LSS188F	2.1A/50.4W	●	1	OPT-DPA6024
12	OPT-LSS244F	2.8A/67.2W	●	1	OPT-DPA6024
13	OPT-LSS300F	3.5A/84W	●	1	OPT-DPA6024
14	OPT-LSS356F	4.2A/100.8W	●	1	OPT-DPA6024
15	OPT-LSS468F	5.6A/134.4W	●	2	OPT-DPA6024
16	OPT-LSS580F	7.0A/168W	●	2	OPT-DPA6024

\* 1. White and red light source's illuminate distance is different from blue, green.  
2. Blue and green light source are customized.

## Dimensional Drawings [mm]



High intensity Scan Light Structure Display and Working Way



The smallest length of a red light is 76 mm, can be increased by multiples of 56 mm up to 1980 mm. Other lengths are available as customized versions. Remark: For the number of light channels please refer to the parameter chart

The smallest length of white lights is 62 mm, can be increased by multiples of 42 mm up to 1994 mm. Other lengths are available as customized versions. Remark: For the number of light channels please refer to the parameter chart.

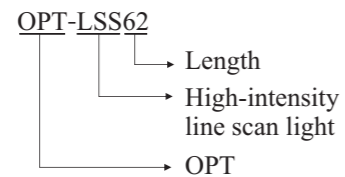
## Product Features

- 1 Maximum brightness can reach up to 1.8M lux
- 2 For high brightness requirements
- 3 High-uniformity, ultra-compact size
- 4 Available as various installations
- 5 Unique cooling design

### Application Area


- ◆ High-speed online inspection
- ◆ High intensity for long working distances
- ◆ High-speed print inspection

### Selection Guide

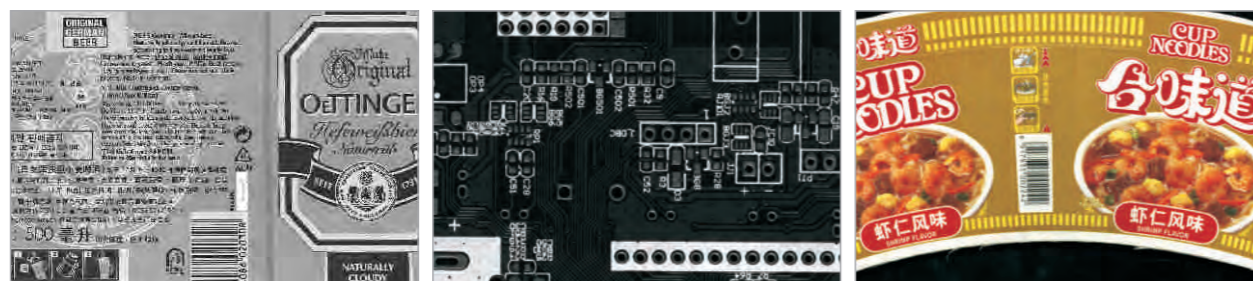


## Customization Options

- Color
- Connector
- Size
- Installation mode
- Cooling mode
- Working way



## Application Example



Examination of the print quality on the surface of beer cans

Letter inspection on PCB boards

Print inspection