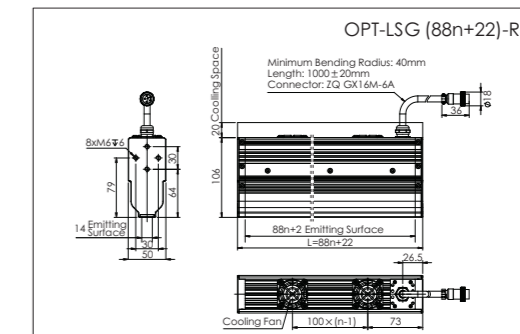
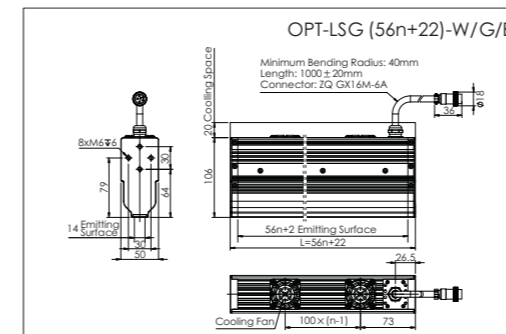


Model Table

No.	Model	Color	Output	Channel	Recommended controller
1	OPT-LSG134	○●●	1.4A/33.6W	1	OPT-DPA6024
2	OPT-LSG246	○●●	2.8A/67.2W	1	OPT-DPA6024
3	OPT-LSG358	○●●	4.2A/100.8W	1	OPT-DPA6024
4	OPT-LSG470	○●●	5A/120W	1	OPT-DPA6024
5	OPT-LSG582	○●●	7A/168W	2	OPT-DPA6024
6	OPT-LSG694	○●●	8.4A/201.6W	2	OPT-DPA6024
7	OPT-LSG806	○●●	9.6A/230.4W	2	OPT-DPA6024

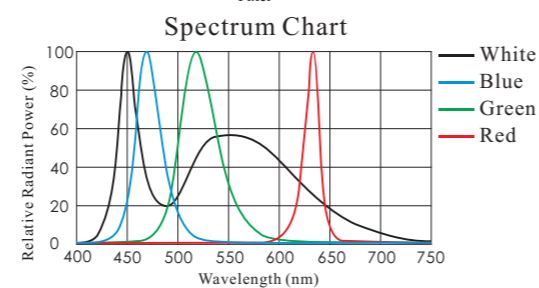
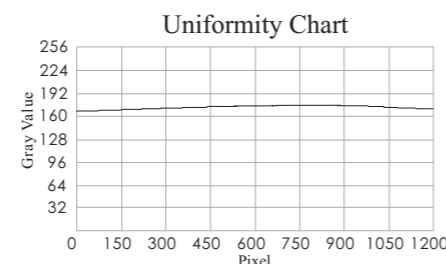
No.	Model	Color	Output	Channel	Recommended controller
8	OPT-LSG918	○●●	11.2A/268.8W	3	OPT-DPA6024
9	OPT-LSG1254	○●●	13.2A/316.8W	3	OPT-DPA6024
10	OPT-LSG110	●	0.4A/9.6W	1	OPT-DPA6024
11	OPT-LSG198	●	0.8A/19.2W	1	OPT-DPA6024
12	OPT-LSG286	●	1.2A/28.8W	1	OPT-DPA6024
13	OPT-LSG374	●	1.6A/38.4W	1	OPT-DPA6024
14	OPT-LSG550	●	2.4A/57.6W	1	OPT-DPA6024

Dimensional Drawings [mm]



Product Features

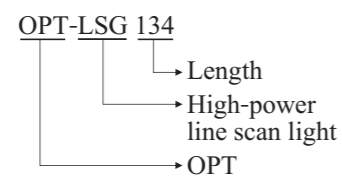
- LED illumination for line scan applications with long working distances. The focus of the light can be adapted.
- High-power LEDs, special convergent lens for applications with line scan cameras.
- Intensity of more than 750,000 lux; total intensity of more than 1M lux on request.



Application Area


- Inspection of mobile screen surface
- Inspection of aluminum foil surface for scratches
- Inspection of steel surface

Application Area

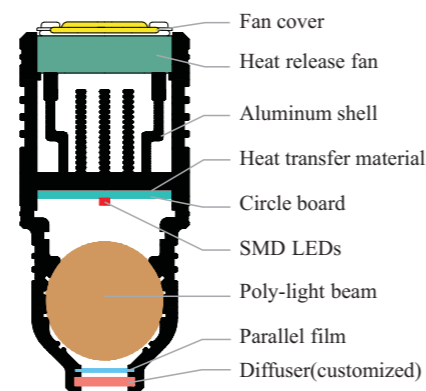


Customization Options

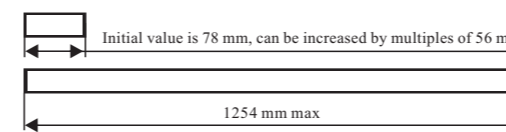
- Color
- Connector
- Size
- Installation
- Heat release method
- Emitting surface



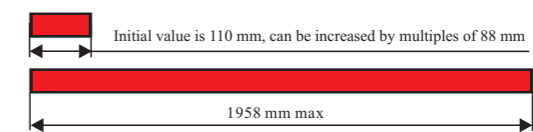
Section Structure Drawing



Customizable length



Length of white, green, and yellow lights can be increased by multiples of 56 mm up to 1254 mm, initial value is 78 mm. Other lengths are available as customized versions. Remark: For the number of light channels please refer to the parameter chart.



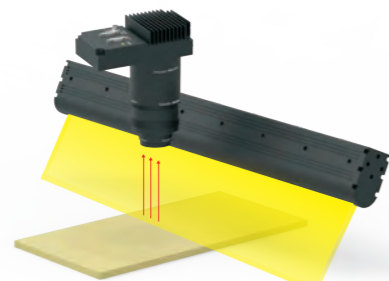
Length of white, green, yellow light can be increased by 88 mm up to 1958 mm, initial value is 110 mm. Other lengths available as customized versions. Remark: For the number of light channels please refer to the parameter chart.

Application Example

Inspected item: bearing surface inspection



Original Image



Illuminated



Result Image