



Model Table

No.	Model	Output ●	Output ○	Output ●	Output ●	Recommended controller			
						●	○	●	●
1	OPT-PI0803	0.4A/0.8W	0.4A/1.4W	0.4A/1.4W	0.4A/1.4W	OPT-DPA0405	OPT-DPA0405	OPT-DPA0405	OPT-DPA0405
2	OPT-PI0805	0.8A/2.2W	0.8A/3.0W	0.8A/3.0W	0.8A/3.0W	OPT-APA0805	OPT-APA0805	OPT-APA0805	OPT-APA0805
3	OPT-PI0810	0.4A/4.0W	0.4A/4.8W	0.4A/4.8W	0.4A/4.8W	OPT-APA0412	OPT-APA0412	OPT-APA0412	OPT-APA0412

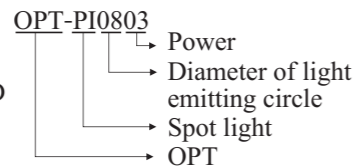
Product Features

- High-power LEDs, small size, high intensity
- Efficient thermal design for longevity
- Replacement for costly, short-lived halogen light sources, suitable for coaxial illumination with telecentric lenses.

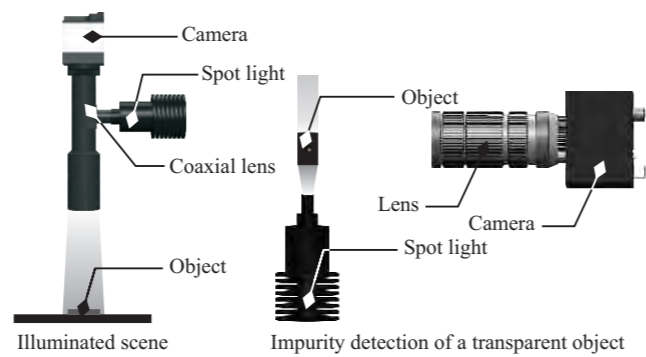
Application Areas

- Localization of marker points
- Electronic chip inspection
- Inspection of wafers and LCD glass substrates
- Scanning
- Surface inspection
- LCD board inspection

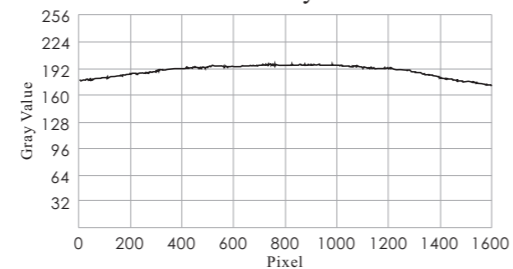
Selection Guide



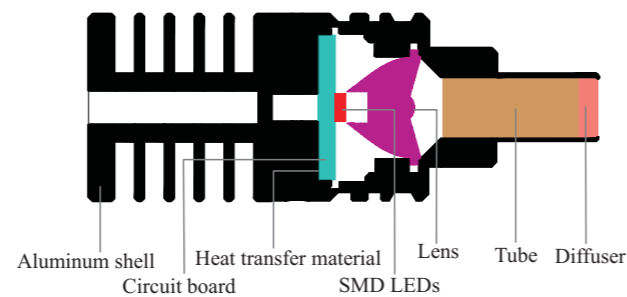
Replacement of costly, short-lived halogen lights



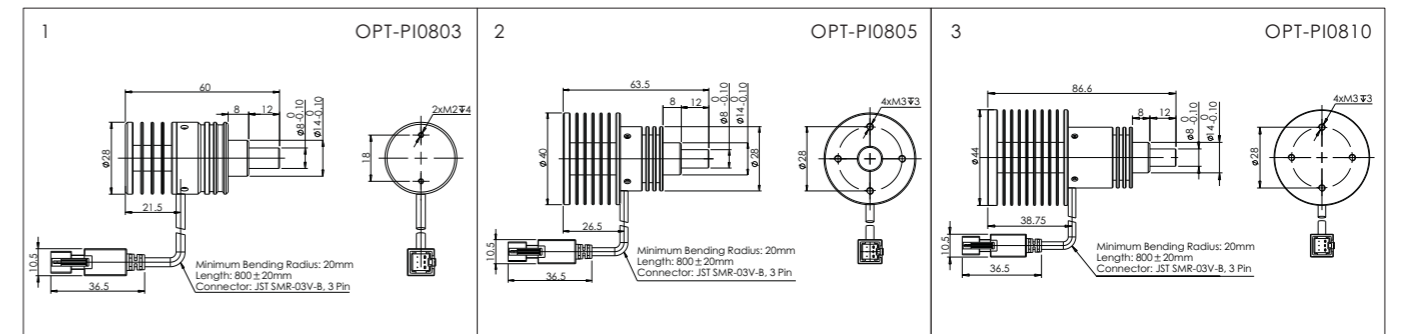
Uniformity Chart



Section Structure Drawing



Dimensional Drawings [mm]



Customization Options

- Color
- Power
- Size
- Installation method
- Heat release



Application Example

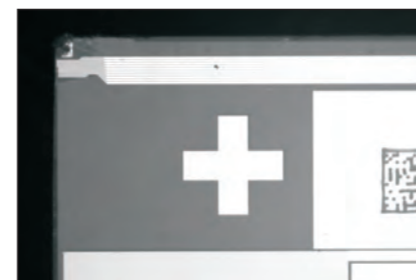
Fiducial localization on mobile phone enclosure



Original Image



Illuminated



Result Image