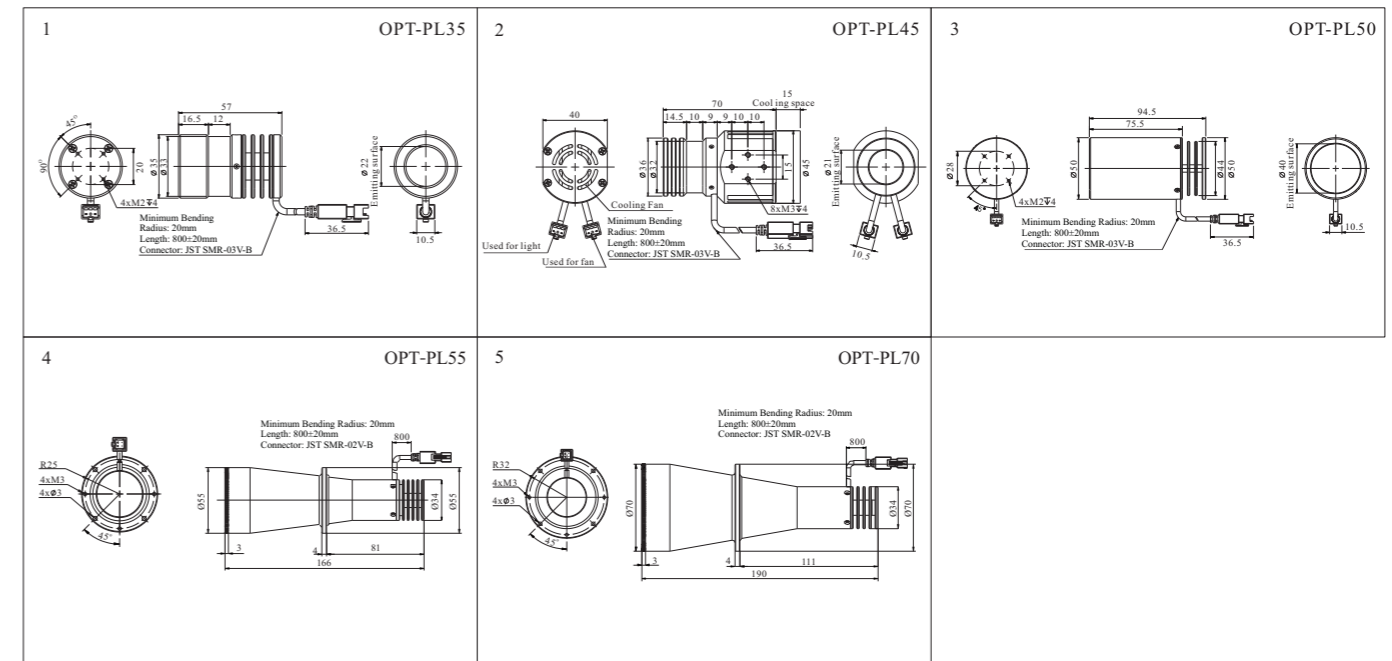




Model Table

No.	Model	Power output	Color	Recommended controller
1	OPT-PL35	5V/3W	●●●●	DPA0405
2	OPT-PL45	5V/3W	●●●●	DPA0405
3	OPT-PL50	5V/3W	●●●●	DPA0405
4	OPT-PL55	12V/8.4W	●●●●	DPA1012
5	OPT-PL70	12V/8.4W	●●●●	DPA1012

Dimensional Drawings [mm]



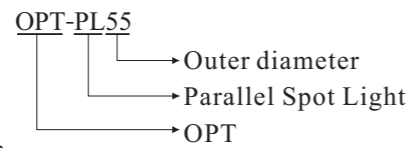
Product Features

- 1 Uniformity can reach 85%, high intensity, highly parallel light emission
- 2 Multi-layered lens design, deviation in emission angle below 0.5 degrees
- 3 Highly customizable

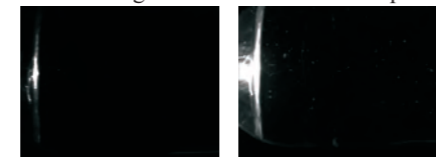
Application Areas

- ◆ Inspection of the burr on edges of rotary parts
- ◆ Inspection of gap plugs
- ◆ Inspection of card surface
- ◆ Geometric measurement of metal part profiles

Selection Guide

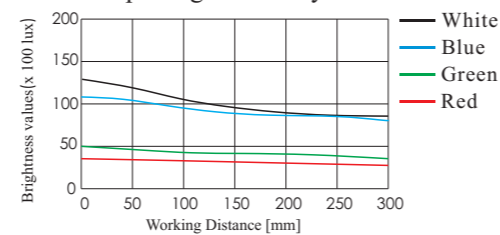


Standard Light PL70 Parallel Spot Light

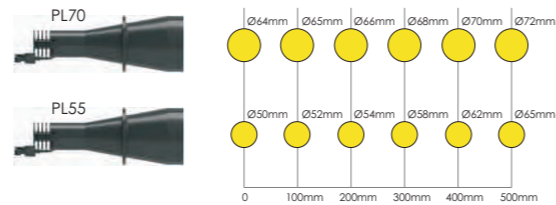


The comparison shows that it is more easy to recognize foreign objects with the PL70 Parallel Spot Light.

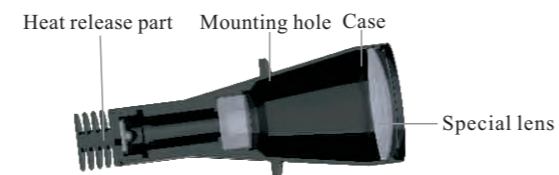
Parallel Spot Light Intensity Chart



Spot range of PL70 and PL55 at 500 mm Working Distance



Section Structure Drawing



Customization Options

- Color
- Installation methods
- Shape and size
- Connector

Application Example

Inspected item: Measurement of metal part profiles



Original Image



Illuminated



Result Image