

Model Table

No.	Model	Output ●	Output ○ ● ●	Recommended controller
1	OPT-RIP120	24V/2.4W	24V/2.0W	OPT-DPA1024E
2	OPT-RIP180	24V/8.4W	24V/9.6W	OPT-DPA1024E
3	OPT-RIP245	24V/16.8W	24V/19.2W	OPT-DPA1024E

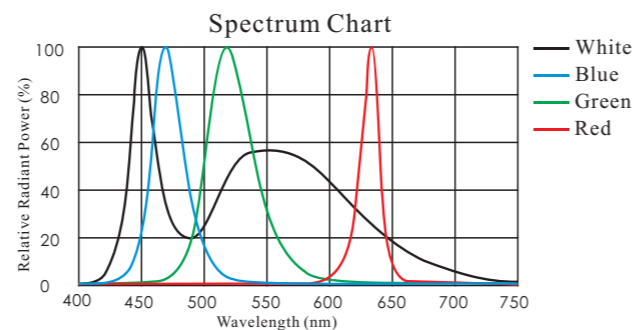
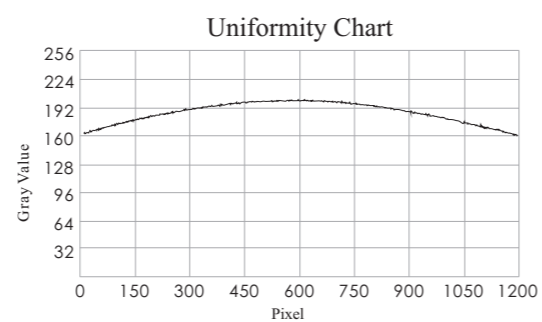
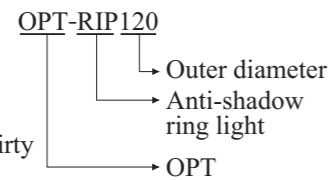
Product Features

- High-power SMD LEDs and high-uniformity diffuser provide high intensity and reduce shadows
- Robust cabling thanks to special connector

Application Areas

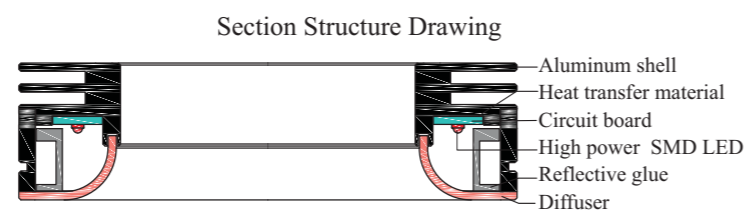
- Surface inspection of electronic parts
- Inspection of inner surface of cylinders
- Detection of impurities and dirty

Selection Guide

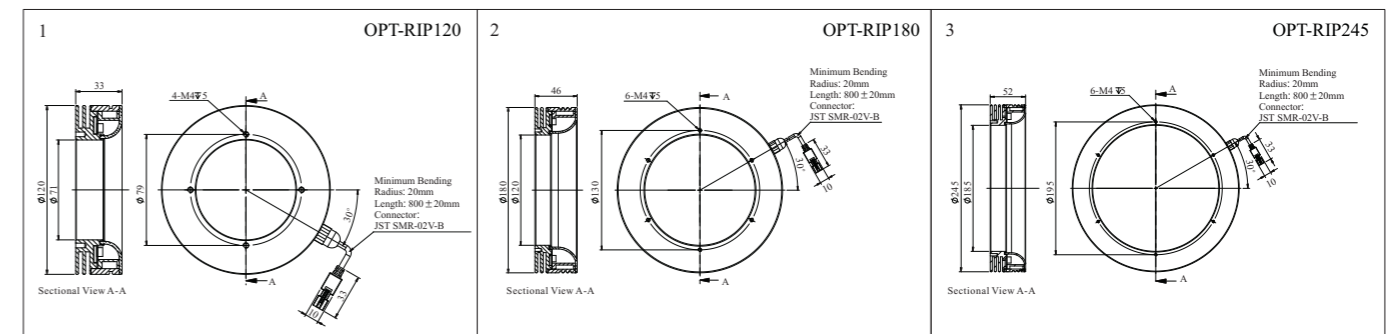


Customization Options

- Color
- Shape and size
- Combination of light sources
- Connector
- Emitting surface
- Installation methods



Dimensional Drawings [mm]



Application Example

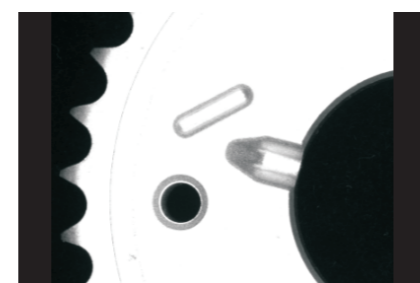
Inspected item: Gear surface



Original Image



Illuminated



Result Image