

Ring Light

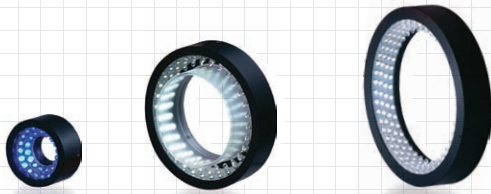
Low-angle Direct Ring Light

IDR-LA series

Suitable for edge detection and scratch inspection



24V DC Models Available



Model	Light Color	Power Consumption (W)	Input Voltage	WD (mm)	SAG (*)	Power Supply	Drawing
IDR-LA40/15□-2	DR	2.1	DC12V	5~10	D9	ILP-30M2 (P.85) IDGB series (P.81) other, overdrive power supply etc.	1
	DW B G	2.2			FF		
IDR-LA50/24□-2-C01	DR	2.7		10~20	D1		2
	DW B G	2.9			FF		
IDR-LA74/48□	DR	5.4		15~30	C8		3
	DW B G	5.4			FF		
IDR-LA100/68□-3	DR	7		15~40	FF		4
	DW B G	5.4			FF		
IDR-LA120/70□-3	DR	10.5		15~40	F3		5
	DW B G	6.9			FF		
IDR-LA140/108□-3	DR	11.9		10~30	F4		6
	DW B G	8			FF		
IDR-LA200/170□-3	DR	18.4		40~70	F0		7
	DW B G	18.9			FF		

□ represents light color (DR=Red, DW=White, B=Blue, G=Green)

Optional diffusing ring can be mounted.

Excludes LA40/15.

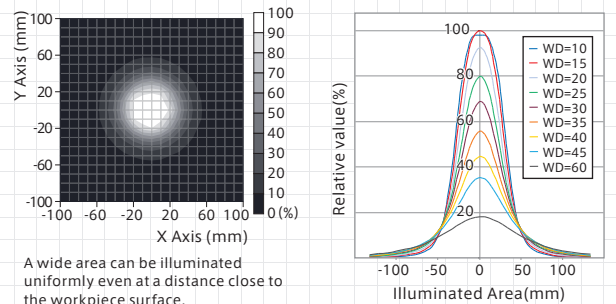
*Input voltage is 12 V DC, but 24 V DC models are also available.

*See page 74 for 24 V DC models.

*Sizes other than those above are also available.

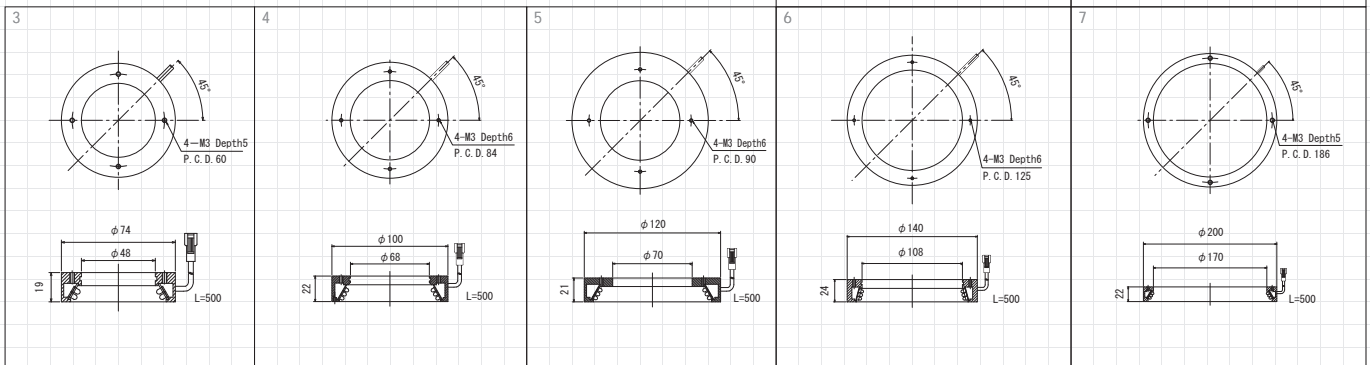
*The SAG value indicates the maximum voltage setting for SAG power supplies. For details, see page 91.

Luminance Distribution Chart (Reference Values)

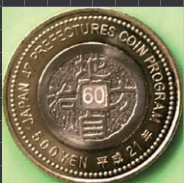


A wide area can be illuminated uniformly even at a distance close to the workpiece surface.
Measurement model: IDR-LA100/68DW-3
WD: 20mm

Measurement model: IDR-LA100/68DW-3



Effect Subject defects and outer edges can be detected by low-angle illumination from the periphery.



IDR-90/50B

IDR-LA100/68B-3

LIGHTING STRUCTURE

