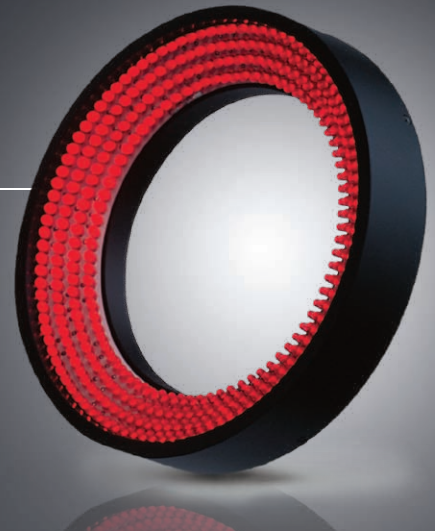


Ring Light

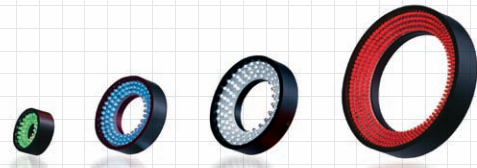
Direct Ring Light

IDR series

General purpose ring light for a diverse range of visual inspections



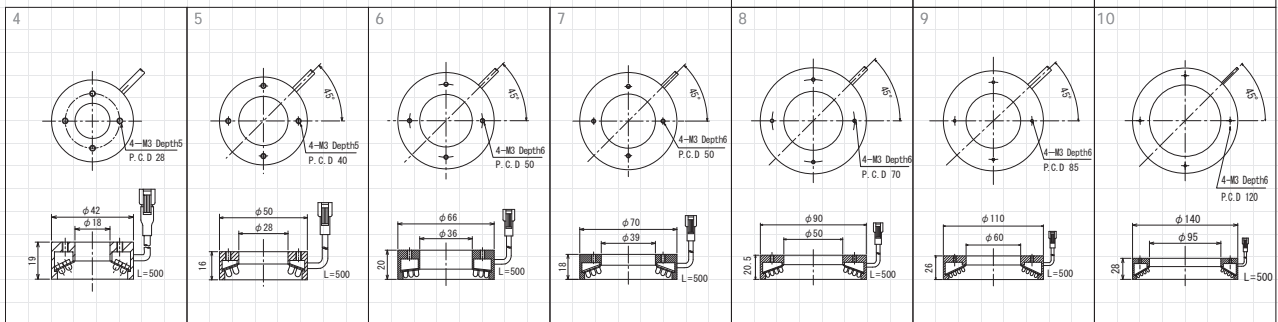
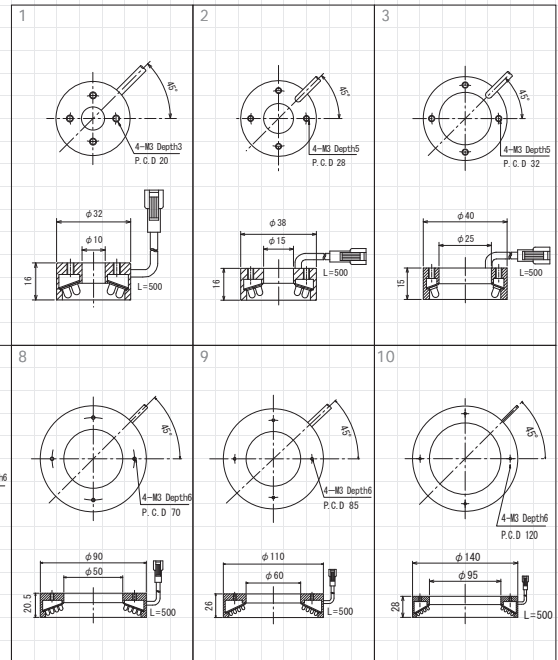
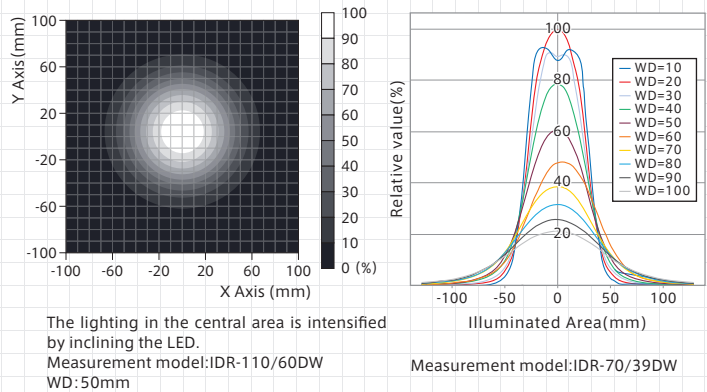
24V DC Models Available



Model	Light Color	Power Consumption (W)	Input Voltage	WD(mm)	SAG (*)	Power Supply	Drawing
IDR-32/10□	DR	1.6	DC12V	10~30	D8		1
	DW B G	1.8			FF		
IDR-38/15□	DR	1.8		10~35	C6		2
	DW B G	2.2			FF		
IDR-40/25□	DR	1.2		25~45	C6		3
	DW B G	1.5			FF		
IDR-42/18□	DR	2.2		25~45	D0	ILP-30M2 (P.85)	4
	DW B G	2.6			FF		
IDR-50/28□	DR	3		20~50	C7	IDGB series (P.81)	5
	DW B G	2.7			FF		
IDR-66/36□	DR	4.3	DC24V	40~80	FF	other, overdrive power supply etc.	6
	DW B G	5.4			FF		
IDR-70/39□	DR	4.7		20~70	FF		7
	DW B G	5.8			FF		
IDR-90/50□	DR	7.1		40~90	FF		8
	DW B G	6.5			FF		
IDR-110/60□	DR	9.6		40~100	FF		9
	DW B G	9.6			FF		
IDR-140/95□	DR	13.9		50~110	FF		10
	DW B G	10.8			FF		

□ represents light color (DR=Red, DW=White, B=Blue, G=Green)
 *Optional diffusing plate/polarizing plate can be mounted.
 *Input voltage is 12 V DC, but 24 V DC models are also available.
 *See page 74 for 24 V DC models.
 *Sizes other than those above are also available.
 *The SAG value indicates the maximum voltage setting for SAG power supplies. For details, see page 91.

Luminance Distribution Chart(Reference Values)



Effect Example of improved surface reflection on objects photographed using direct illumination from above.



IDR-110/60DW Direct Illumination

IDR-110/60DW with Diffusing Plate

IDR-110/60DW with Polarizing Plate

