

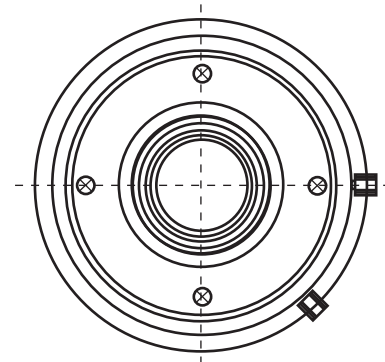
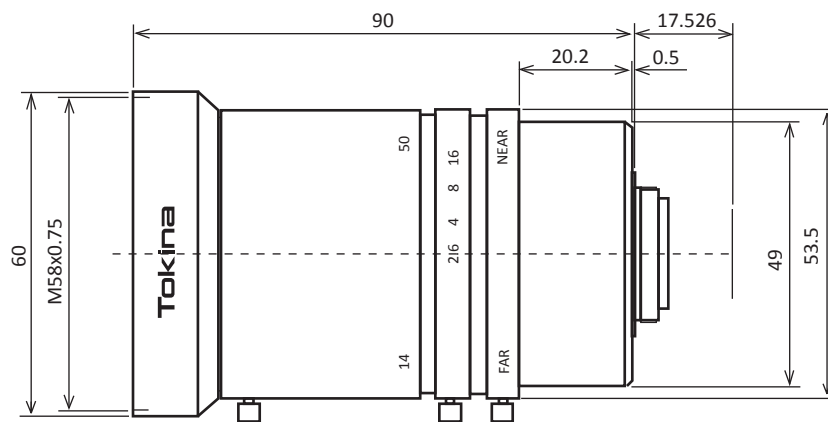
## TVR1426HD-IR

## 1" f=14-50mm F/2.6 8.0Megapixel IR Lens

### ● SPECIFICATIONS

MODEL NUMBER		TVR1426HD-IR	FILTER SIZE	M58 P=0.75
IMAGE FORMAT		1 inch (Φ 16.8mm)	DIMENSIONS	φ 60 x 90mm
FOCAL LENGTH		14-50 mm	WEIGHT	390g
MAXIMUM APERTURE		F1:2.6 (No Ramping)	OPERATING TEMPERATURE	-10°C - +50°C
APERTURE RANGE		F2.6-16	MOUNT	C-mount
M.O.D.		1.2 m	FLANGE BACK	17.526mm
ANGLE OF VIEW (at 1 inch)	HORIZONTAL	50.5° --- 14.5°	BACK FOCAL LENGTH	13.995mm
	VERTICAL	38.0° --- 11.1°	NOTE	8MP, IR-Corrected

### ● DIMENSIONS



UNIT: mm

Distributed by:

**MaxxVision®**

Sigmaringer Str. 121

70567 Stuttgart

Tel.: +49 711 997 996 3

Fax: +49 711 997 996 50

www.maxxvision.com

info@maxxvision.com