

TC5028-3MP

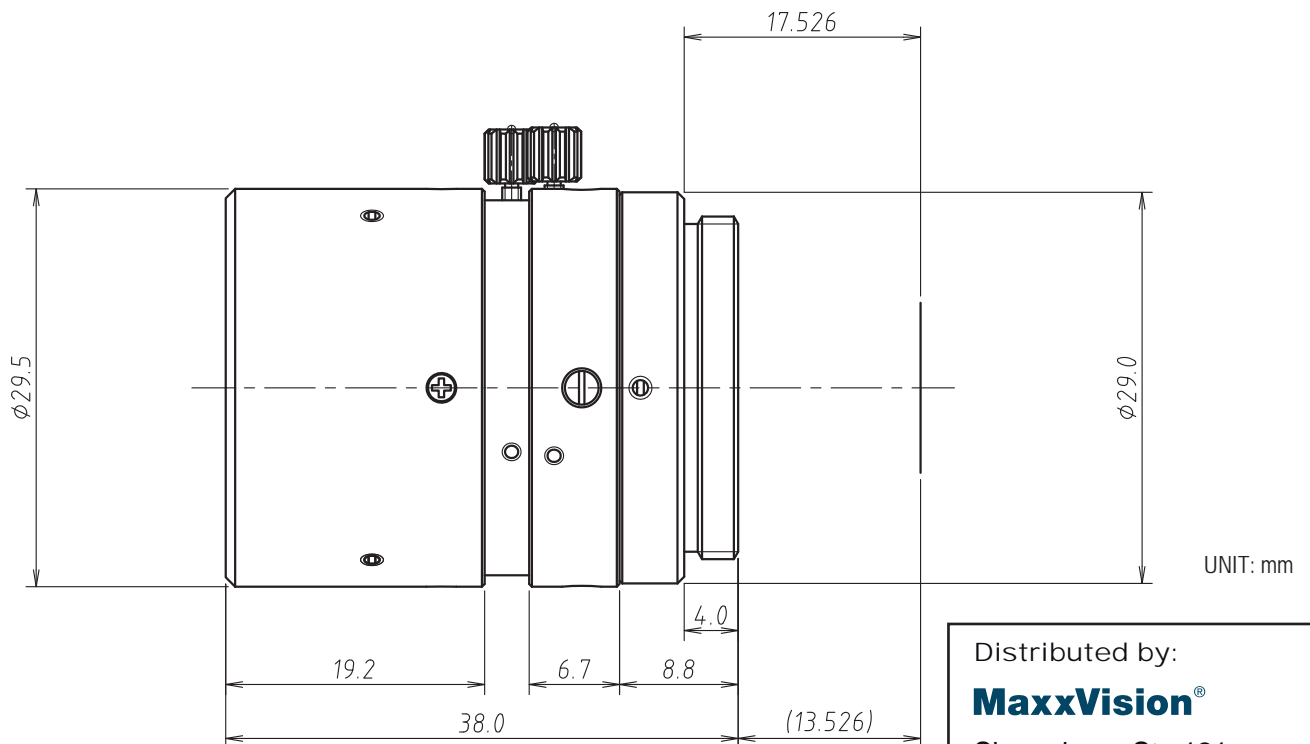
2/3" f=50mm F/2.8

3Megapixel Lens

● SPECIFICATIONS

MODEL NUMBER		TC5028-3MP	FILTER SIZE	M27 P=0.5
IMAGE FORMAT		2/3inch	DIMENSIONS	φ 29.5x38mm
FOCAL LENGTH		50mm	WEIGHT	55g
MAXIMUM APERTURE		F1:2.8	OPERATING TEMPERATURE	-20°C -+55°C
APERTURE RANGE		F2.8-22	MOUNT	C-mount
M.O.D.		0.8 m	FLANGE BACK	17.526mm
ANGLE OF VIEW (at 2/3inch)	HORIZONTAL	10.03°	BACK FOCUS	21.06mm
	VERTICAL	7.54 °		

● DIMENSIONS



Distributed by:

MaxxVision®

Sigmaringer Str. 121
70567 Stuttgart
Tel.: +49 711 997 996 3
Fax: +49 711 997 996 50
www.maxxvision.com
info@maxxvision.com