

TC1620-12MP

4/3" f=16mm F/2.0 12Megapixel Lens

● SPECIFICATIONS

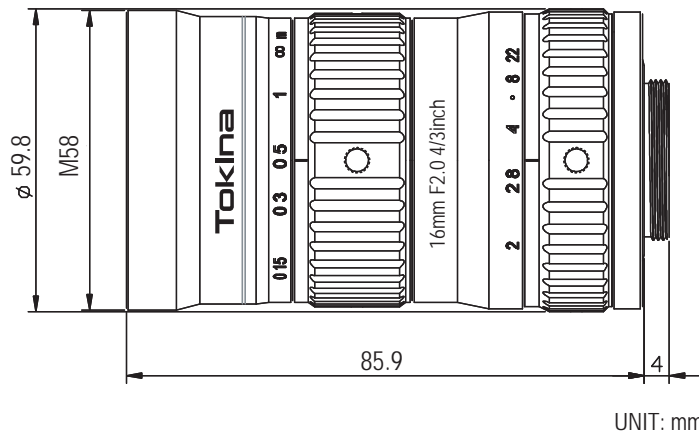
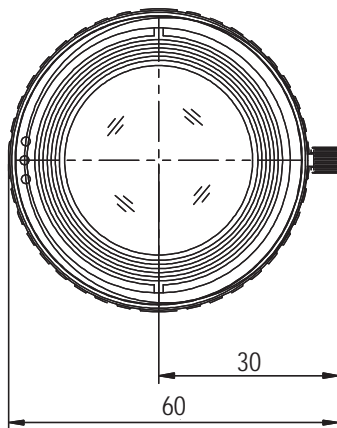
MODEL NUMBER		TC1620-12MP	FILTER SIZE	M58.0X0.75
IMAGE FORMAT		4/3-inch	DIMENSIONS	φ 59.8 x 85.9mm
FOCAL LENGTH		16mm	WEIGHT	340g
MAXIMUM APERTURE		F1:2.0	OPERATING TEMPERATURE	-10°C -+50°C
APERTURE RANGE		F2.0-22	MOUNT	C-mount
M.O.D.		0.1 m	FLANGE BACK	17.526mm
ANGLE OF VIEW (at 4/3 inch)	HORIZONTAL	60.92°	BACK FOCAL LENGTH	21.00mm
	VERTICAL	47.28°	RESOLUTION, DISTORTION	12Megapixel -2.81%

UP to 4.7micron.

CMV8000(5.5micron) AI-08050(5.5micron)

KAI-10100(4.75micron) KAC-12040(4.7micron)

● DIMENSIONS



UNIT: mm

Distributed by:

MaxxVision®

Sigmaringer Str. 121

70567 Stuttgart

Tel.: +49 711 997 996 3

Fax: +49 711 997 996 50

www.maxxvision.com

info@maxxvision.com