

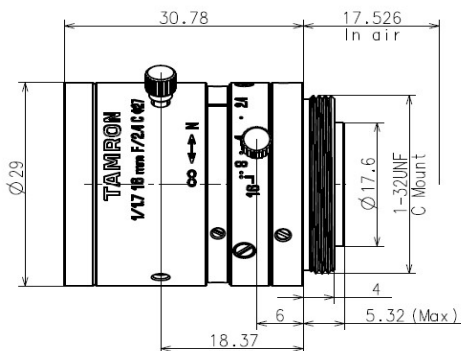
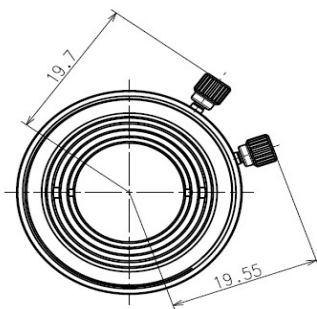
TAMRON

M117FM16-RG

- High contrast and resolution
- 2.4µm pixel pitch
- Rugged mechanical design
- Ultra low distortion



P/N		M117FM16-RG
Imager Size		1/1.7"
Mount		C
Focal Length		16mm
Aperture		F/2.4 - F/16
Angle of View (horizontal x vertical)	1/1.7"	26.1° x 19.7°
	1/1.8"	25.7° x 17.4°
	1/2"	22.3° x 16.8°
	1/3"	16.8° x 12.6°
Focusing Range		0.1m - ∞
Operation	Focus	Manual w/lock
	Iris	Manual w/lock
Filter Size		M27 P=0.5
Wave Length		Visible Light
TV Distortion		-0.1%
Overall Length		36.1mm
Maximum Diameter		29.0mm
Weight		40g
Operating Temperature		-20 ~ 60°C



TAMRON Europe GmbH - Robert-Bosch-Str. 9 - 50769 Köln

Phone: +49 (0) 221 / 669544-0 - Mail: cctv@tamron.de - Web: www.tamron.vision

MaxxVision®

Sigmaringer Str. 121

70567 Stuttgart

Tel.: 0711 997 996 3

www.maxxvision.com