

TAMRON

Compact 5MP Lens

M112FM16

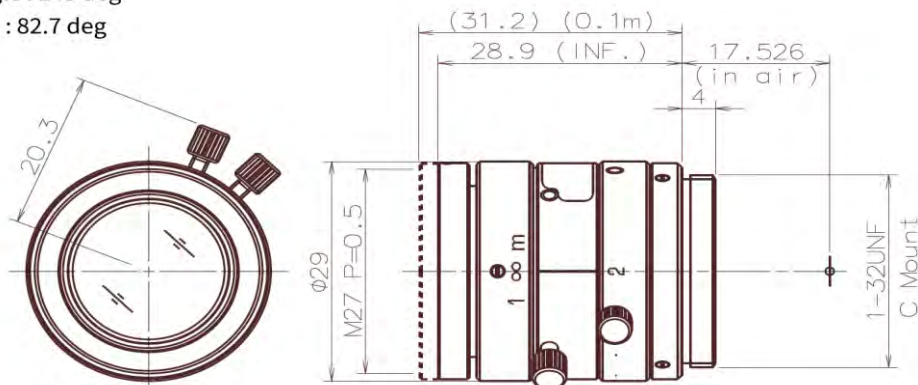
- 3.45µm Pixel Pitch
- Image Size 1/1.2"
- Ultra Compact Body



P/N		M112FM16	
Imager size		1/1.2"	
Mount		C-Mount	
Focal length		16mm	
Aperture		F/2.0 ~ F/16	
Angle of View (horizontal x vertical)	1/1.2"	(4:3)	37.4° x 28.4°
		(16:9)	40.5° x 22.3°
	2/3"	(4:3)	31.0° x 23.4°
		(16:9)	33.7° x 19.2°
Focus range		100mm - ∞ (recommended shooting distance 0,3m)	
Operation	Focus	Manual w/lock	
	Iris	Manual w/lock	
Filter size		M27 P=0.5mm	
Exit Pupil Position		-35.85mm	
TV Distortion		-0.56 %	
Optical Overall Length		31.2mm - 28.9mm	
Maximum Diameter		29.0mm	
Weight		51g	
Operating Temperature		-20°C ~ +60°C	

Focus angle : 148 deg

IRIS angle : 82.7 deg



TAMRON Europe GmbH - Robert-Bosch-Str. 9 - 50679 Köln - Phone +49 (0) 221 / 970325-0

Fax +49 (0) 221 / 970325-4 - Email info@tamron.de

MaxxVision®

Sigmaringer Str. 121

70567 Stuttgart

Tel.: 0711 997 996 3

www.maxxvision.com