

**NEW Ultra High Resolution**

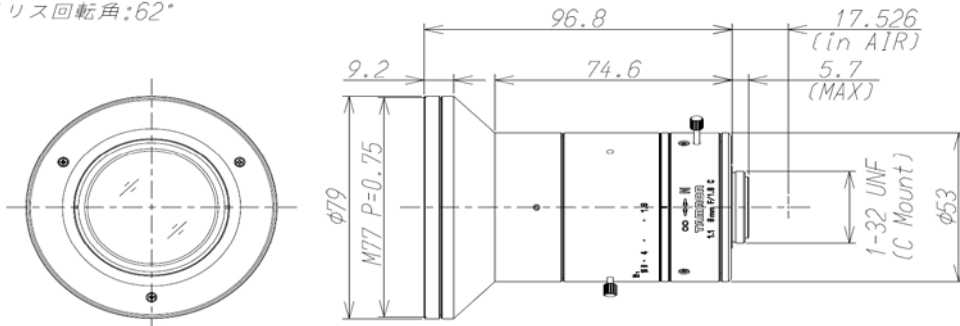
**M111FM08**

- 3.1µm Pixel Pitch
- Supports 1.1" Image Sensors
- Wide Temperature Range



P/N		M111FM08	
Imager size		1.1"	
Mount		C-Mount	
Focal length		8 mm	
Aperture		F/1.8	
Angle of View (horizontal x vertical)	1.1"	(1:1)	76.0° x 76.0°
		(4:3)	83.5° x 66.7°
	1"	(1:1)	71.2° x 71.2°
		(4:3)	78.4° x 62.2°
2/3"		57.8° x 44.9°	
Focusing range		0.3m - ∞	
Operation	Focus	Manual w/lock	
	Iris	Manual w/lock	
Filter size		M77mm P=0.75mm	
Back focus (in air)		13.88mm	
Exit Pupil Position		-57.6mm	
Distortion		less than -2.19% (distance 0.5m)	
Optical Overall Length		96.8mm	
Maximum Diameter		79.0mm	
Weight		TBA	
Operating Temperature		-20°C ~ 60°C	

フォーカス回転角:89.5°  
アイリス回転角:62°



Distributed by:

**MaxxVision®**

Sigmaringer Str. 121  
70567 Stuttgart  
Tel.: +49 711 997 996 3  
Fax: +49 711 997 996 50  
www.maxxvision.com  
info@maxxvision.com