

HF35M

Image Size: $\frac{1}{2}$ $\frac{1}{3}$ $\frac{1}{4}$

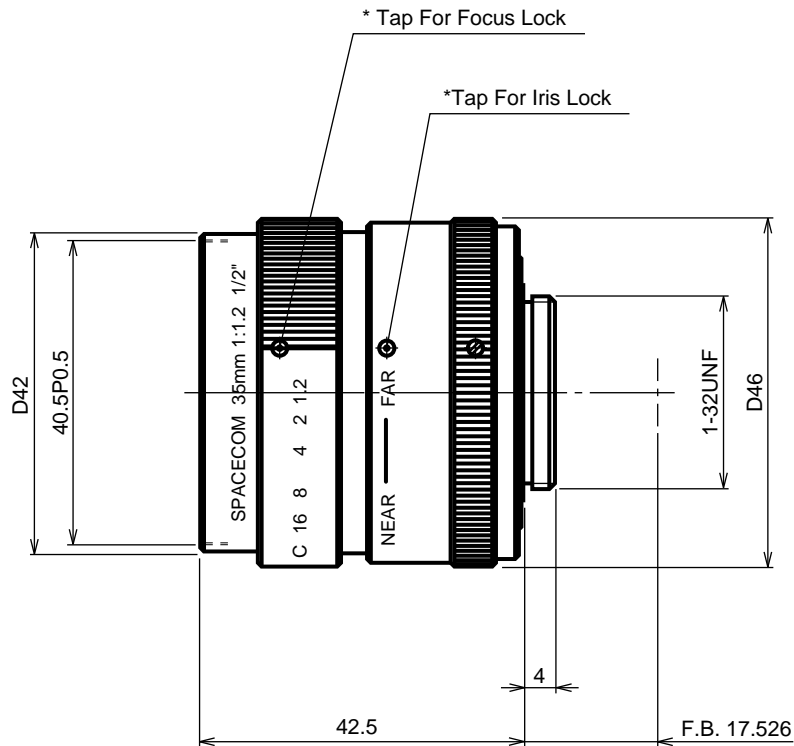
[SPECIFICATIONS]

Focal Length :	35mm	Flange Back :	17.526mm
Maximum Relative Aperture :	1:1.2	Operation :	Focus : Manual Iris : Manual
Iris :	F1.2 - Close	Operation Temperature :	-10 to +50
Angular Field of View :	10.4 X7.8deg.	Mount :	C-Mount
Image Format :	6.4X4.8mm(D8mm)	Front Thread :	40.5mm P0.5
Minimum Object Distance :	1.0m(From Front Vertex)	Size, Weight :	D46X42.5mm, Approx. 145g
Object Dimensions at M.O.D. :	21.1X17.5cm		
Optical Back Focal Distance :	14.01mm(In Air)		

[COMPOSITION]

- Lens1
- Lens Cap1
- Dust Cap1

[DIMENSIONS]



NOTE) * Please Ask if You Need Iris / Focus Lock Screw.

Unit:mm

MaxxVision®

Sigmaringer Str. 121
70567 Stuttgart
Tel.: 0711 997 996 3
www.maxxvision.com