

HF3.5M-2

[SPECIFICATIONS]

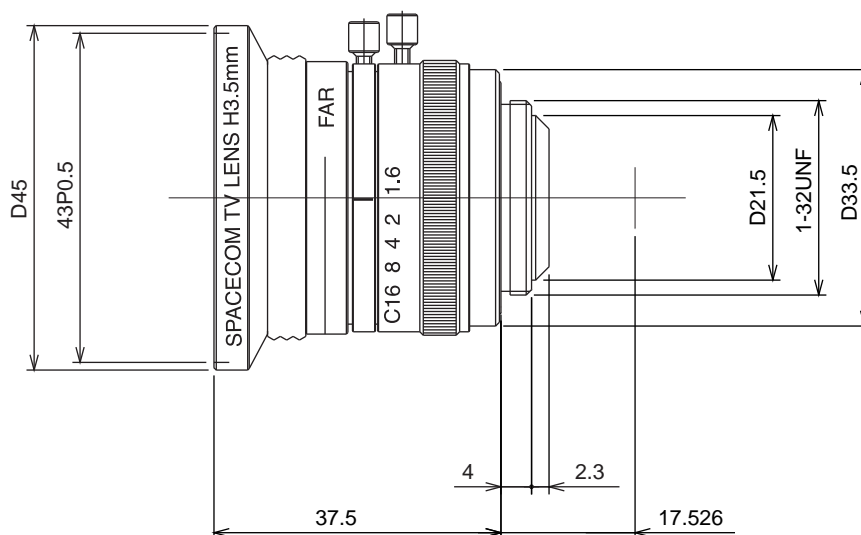
Image Size: $\frac{1}{2}$

Focal Length :	3.5mm	Flange Back :	17.526mm
Maximum Relative Aperture :	1:1.6	Operation :	Focus : Manual Iris : Manual
Iris :	F1.6 - Close	Operation Temperature :	-10 to +50
Angular Field of View :	84.9 X68.9 deg.	Mount :	C-Mount
Image Format :	6.4X4.8mm(D8mm)	Front Thread :	43mm P0.75
Minimum Object Distance :	0.1m(From Front Vertex)	Size, Weight :	D45X37.5mm, Approx. 90g
Object Dimensions at M.O.D. :	20.6X16.0cm		
Optical Back Focal Distance :	11.45mm(In Air)		

[COMPOSITION]

- Lens1
- Lens Cap1
- Dust Cap1

[DIMENSIONS]



Unit:mm

MaxxVision®

Sigmaringer Str. 121
70567 Stuttgart
Tel.: 0711 997 996 3
www.maxxvision.com