

# HZ8136RAI-MP2

Image Size: 1/2 1/3

**【SPECIFICATIONS】** 1/2" Megapixel Motorized Zoom Lens

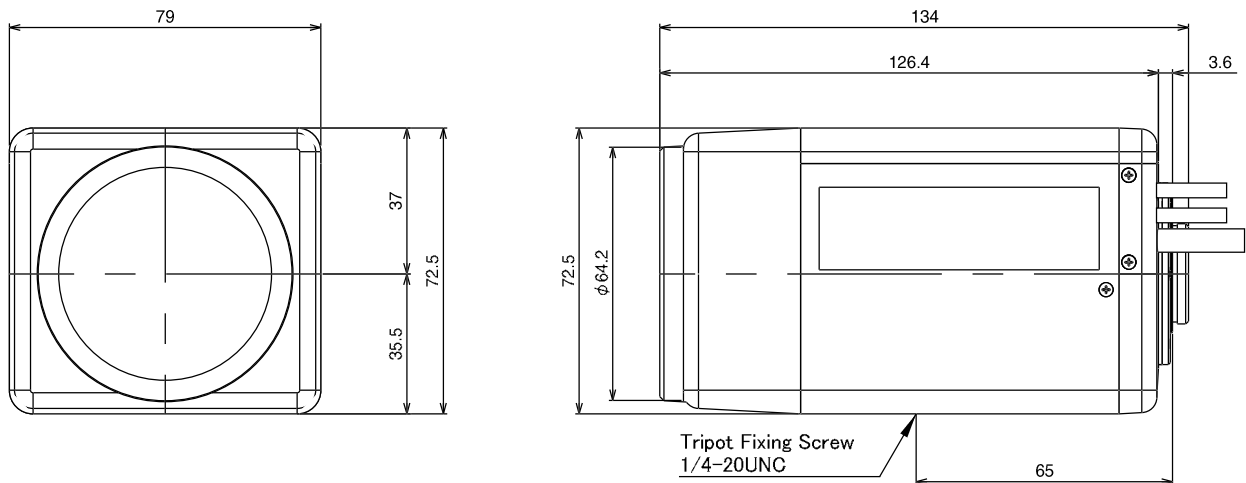
Focal Length:	8~136mm	Input Impedance:	High Impedance
Maximum Relative Aperture:	1:1.6	Operation: Zoom:	Motorized(DC±6.4V, Max40mA) Speed Approx. 4 sec.
Iris:	F1.6~Approx.360	Focus:	Motorized(DC±6.4V, Max40mA) Speed Approx. 5 sec.
Zoom Ratio:	17X	Iris:	EE(DC+8.5~16V : Fixed Voltage, MAX45mA)
Angle Field of View:	43.6 × 33.4 deg. at 8mm 2.7 × 2.2 deg. at 136mm	EE Mechanism:	The built-in EE Amp amplifies the difference between the video signal from the camera and the preset iris signal level. It causes the iris to change size.
Image Size:	6.4 × 4.8mm (φ8mm)	EE Accuracy:	With Input Video Signal 0.7Vp-p
Minimum Object Distance:	1.8m(From Front Vertex)	Operating Temperature:	-10 to +50°C
Optical Back Focal Distance:	19.33mm(In Air)	Mount:	C-Mount(Adjustable Lens Position)
Flange Back:	17.526mm	Filter Size:	58mm P0.75
Input Signal:	Composite Video Signal, Video Signal	Size:	79 × 72.5 × 130mm
Sensitivity Adjustment:	0.5~1.0Vp-p(Image Signal)	Weight:	Approx.650g
Photometry Range:	Approx.40~70% Variable to Vp-p		

**【DIMENSION】**

- Lens.....1
- Lens Cap.....1
- Dust Cap.....1

4-Conductor Connector(Female) . . . . . 1  
(Any 4-conductor cable of external dia 6mm to be prepared separately.)

**【DIMENSION】**



Unit:mm

**【CIRCUIT DIAGRAM】**

