

【SPECIFICATIONS】 2/3" format 5.0 Mega Pixel Lens

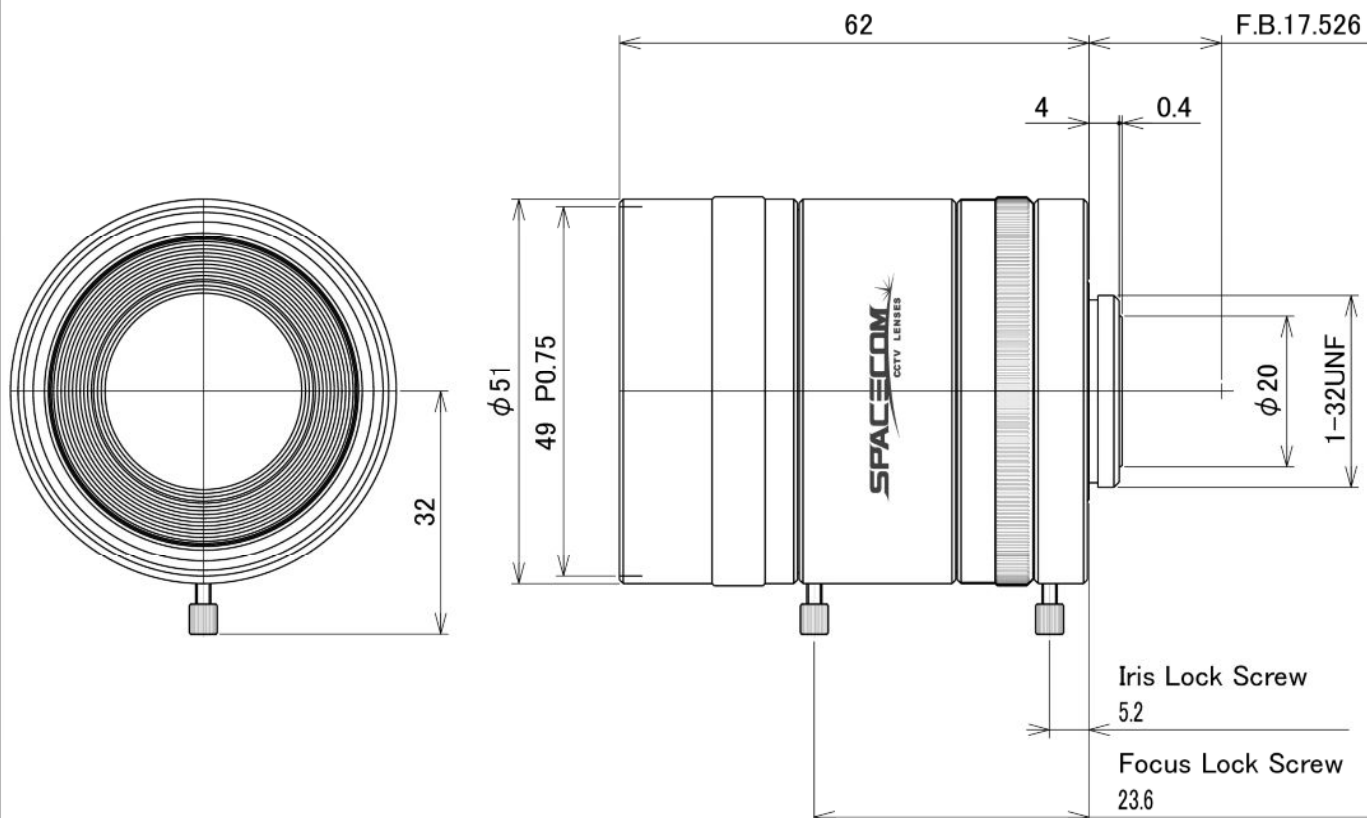
Image Size: $\frac{2}{3}$ $\frac{1}{2}$ $\frac{1}{3}$

Focal Length:	35mm	Back Focus:	14.027mm (In Air)
Maximum Relative Aperture:	1:1.4	Flange Back:	17.526mm
Iris:	F1.4~22	Operation: Focus:	Manual
Anglar Field of View:	10.4° × 7.8°	Iris:	Manual (Click Way)
Image Format:	8.8 × 6.6mm (D11mm)	Operation Temperature:	-10~+50°C
Minimum Object Distance:	0.25m (From Front Vertex)	Mount:	C-Mount (Adjustable Lens position)
Resolution:	3.45 μm	Front Thread:	49mm P0.75
TV Distortion:	0.07 (∞)	Size, weight:	D51 × 62mm Approx.230g
	-0.04 (Near)		

【COMPOSITION】

- Lens.....1
- Front Cap.....1
- Rear Cap.....1

【DIMENSIONS】



MaxxVision®
Sigmaringer Str. 121
70567 Stuttgart
Tel.: 0711 997 996 3
www.maxxvision.com

Unit:mm