

**【SPECIFICATIONS】** 2/3" format 5.0 Mega Pixel Lens

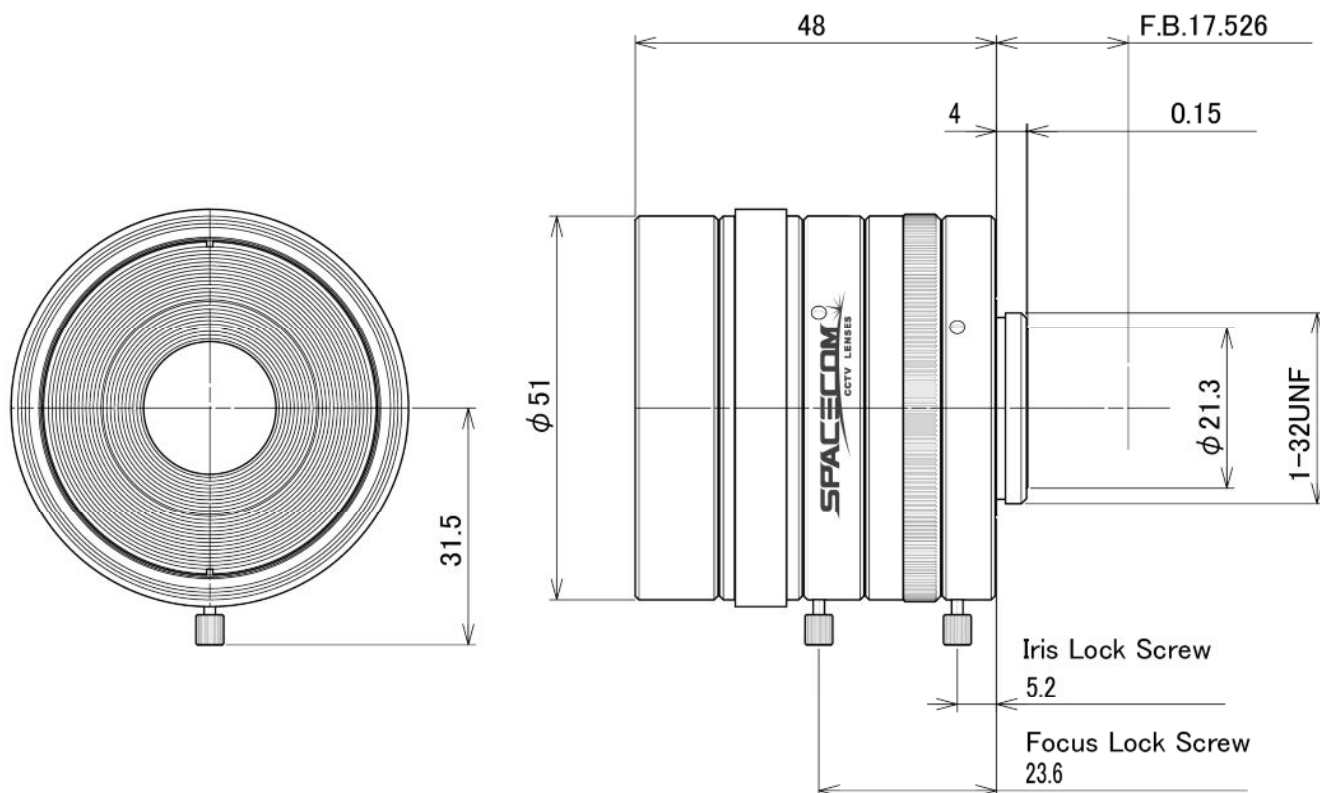
Image Size:  $\frac{2}{3}$   $\frac{1}{2}$   $\frac{1}{3}$

Focal Length:	25mm	Back Focus:	14.01mm (In Air)
Maximum Relative Aperture:	1:1.4	Flange Back:	17.526mm
Iris:	F1.4~22	Operation:	Focus: Manual Iris: Manual
Angular Field of View:	43.3° × 33.0°	Operation Temperature:	-10~+50°C
Image Format:	8.8 × 6.6mm (φ 11mm)	Mount:	C-Mount (Adjustable Lens Position)
Minimum Object Distance:	0.2m (From Front Vertex)	Front Thread:	49mm P0.75
Resolution:	3.45 μm	Size, weight:	φ 51 × 48mm Approx. 190g
TV Distortion:	0.07% (∞) -0.02% (Near)		

**【COMPOSITION】**

- Lens.....1
- Front Cap.....1
- Rear Cap.....1

**【DIMENSIONS】**



**MaxxVision®**

Sigmaringer Str. 121  
70567 Stuttgart  
Tel.: 0711 997 996 3  
www.maxxvision.com

Unit:mm