

JHF25M-MP

【SPECIFICATIONS】 Megapixel-Lens

Image Size : $\frac{2}{3}$

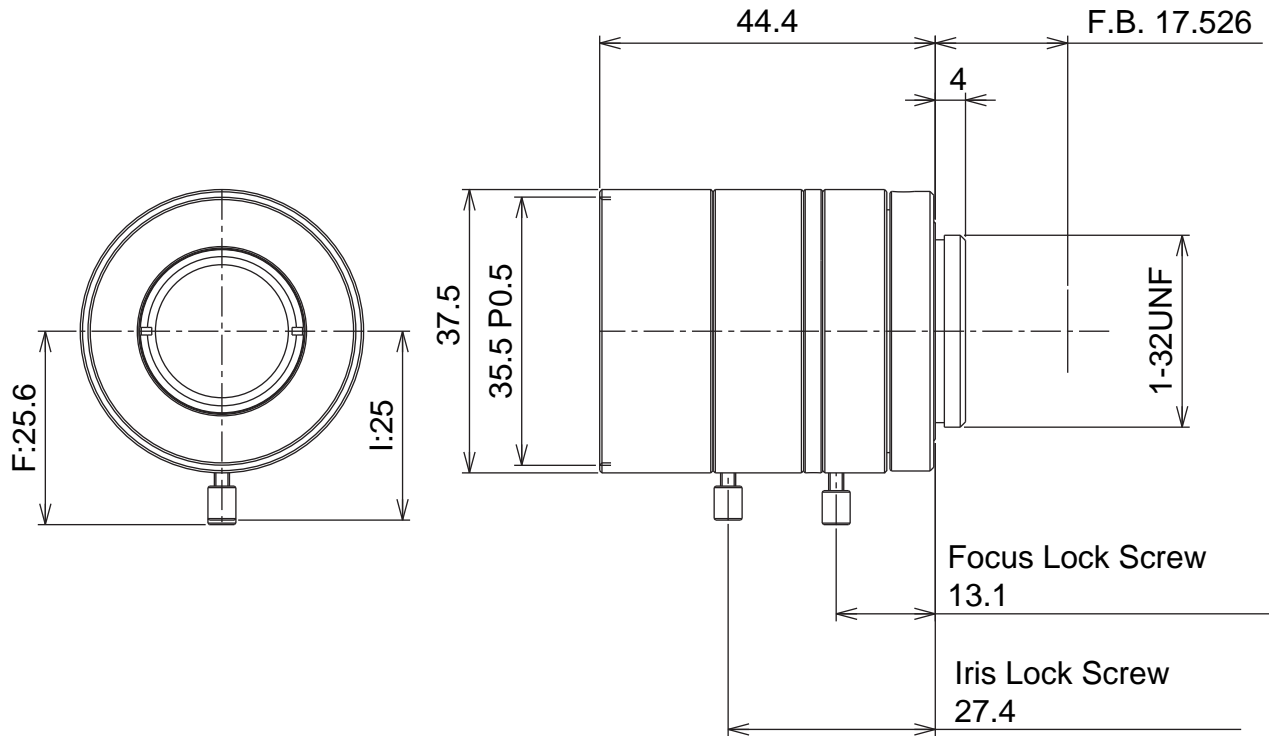
Focal Length : 25mm
 Maximum Relative Aperture : 1:1.4
 Iris : F1.4 ~ F22
 Angle of View : 20.0 × 15.0 °
 Image Size : 8.8 × 6.6mm (11mm)
 Minimum Object Distance : 0.2m (From Front Vertex)
 Optical Distortion : Max -0.07% (at near)
 0.21% (at far)
 TV Distortion : 0.02% (at near)
 0.11% (at far)

Optical Back Focal Distance : 14.01mm(In Air)
 Flange Back : 17.526mm
 Operation : Focus : Manual
 Iris : Manual
 Operating Temperature : -10 ~ +50
 Mount : C-Mount
 Filter Size : 35.5mm P0.5
 Size : 37.5 × 44.4mm
 Weight : Approx. 106g

【COMPOSITION】

- Lens 1
- Lens Cap 1
- Dust Cap 1

【DIMENSIONS】



MaxxVision®

Sigmaringer Str. 121
 70567 Stuttgart
 Tel.: 0711 997 996 3
 www.maxxvision.com

Unit:mm