

VHF8M-MP

Image Size : 1inch

【SPECIFICATIONS】 Megapixel-Lens

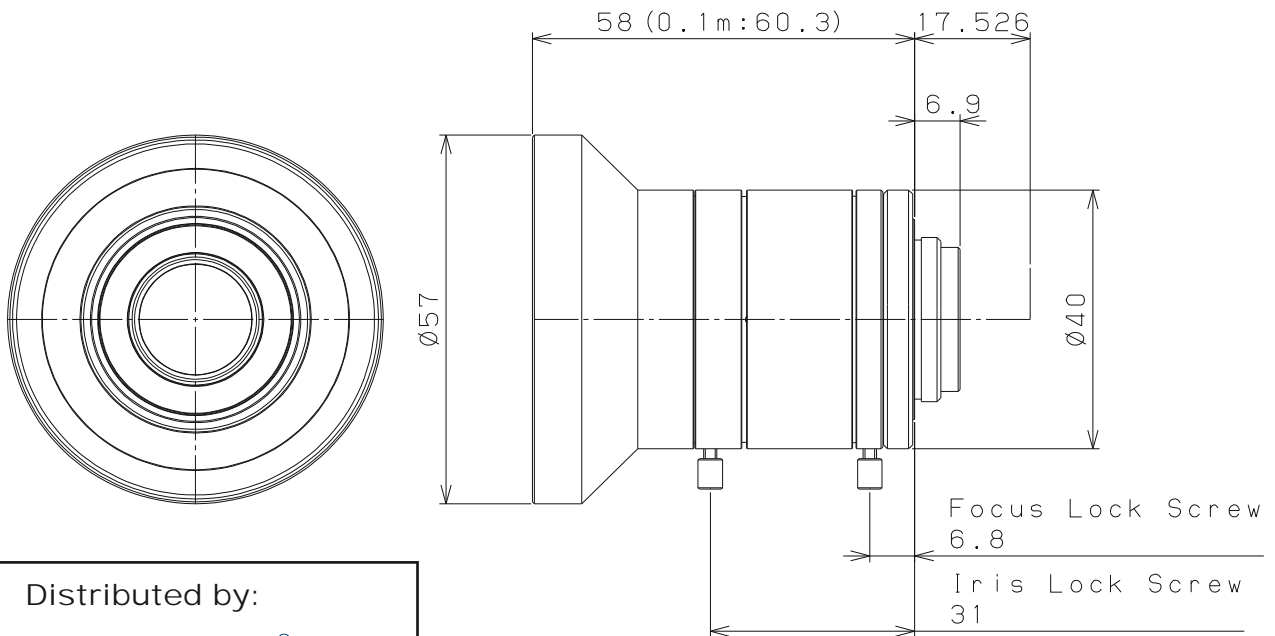
Focal Length : 8mm
 Maximum Relative Aperture 1:1.4
 Iris : F1.4~F22
 Angle of View : H 79.7°xV 62.9° (∅ 92.6°)
 Image Size : 12.8mmx9.6mm (16mm)
 Minimum Object Distance : 0.1m (From Front Vertex)
 Resolution : 6.4μ m
 Optical Distortion : -8.2% (at near)
 -7.4%(at far)
 TV Distortion : -2.3% (at near)
 -1.1% (at far)

Optical Back Focal Distance : 11.1mm (in air)
 Frange Back : 17.526mm
 Operation : Focus : Manual
 Iris : Manual
 Operating Temperature : -10°~+50°
 Mount : C-Mount
 Filter Size : 55.0mmP0.75
 Size : 57x58mm
 Weight : 200g

【COMPOSITION】

- Lens · · · · · 1
- Lens Cap · · · · · 1
- Dust Cap · · · · · 1

【DIMENSIONS】



Distributed by:

MaxxVision®

Sigmaringer Str. 121

70567 Stuttgart

Tel.: +49 711 997 996 3

Fax: +49 711 997 996 50

www.maxxvision.com

info@maxxvision.com