

VHF6M-MP

Image Size : 1inch

【SPECIFICATIONS】 Megapixel-Lens

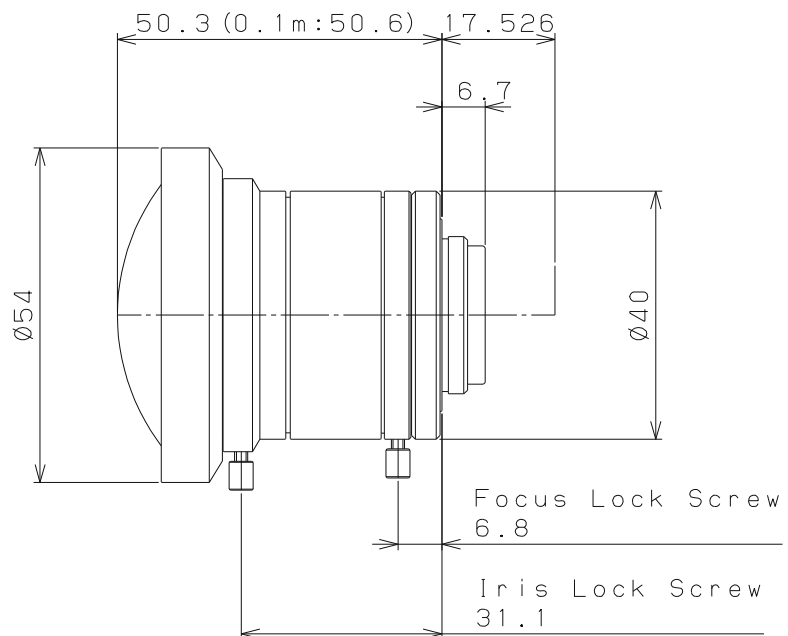
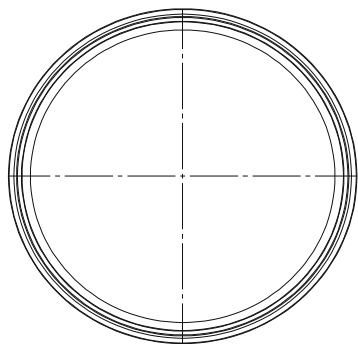
Focal Length : 6mm
 Maximum Relative Aperture 1:1.8
 Iris : F1.8~F22
 Angle of View : H 95.1°xV 78.7° Ø 104.6°
 Image Size : 12.8mmx9.6mm (16mm)
 Minimum Object Distance : 0.1m (from Front Vertex)
 Resolution : 6.4 m
 Optical Distortion : -7.5% (at near)
 -7.1%(at far)
 TV Distortion : 2.4% (at near)
 -0.7% (at far)

Optical Back Focal Distance 11.5mm (in air)
 Frange Back : 17.526mm
 Operation : Focus : Manual
 Iris : Manual
 Operating Temperature : -10°~+50°
 Mount : C-Mount
 Size : 54x50.3mm
 Weight : 185g

【COMPOSITION】

- Lens · · · · · 1
- Lens Cap · · · · · 1
- Dust Cap · · · · · 1

【DIMENSIONS】



Distributed by:

MaxxVision®

Sigmaringer Str. 121
 70567 Stuttgart
 Tel.: +49 711 997 996 3
 Fax: +49 711 997 996 50
 www.maxxvision.com
 info@maxxvision.com