



High Resolution and Wide Angle Lens for Large Image Circle, ϕ 62mm

Suitable for large field of view in limited space

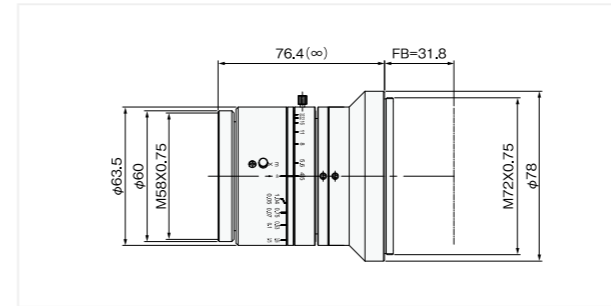
- ▶ The widest angle for ϕ 62mm in machine vision industry
- ▶ Suitable for 16K x 3.5 μ , 12K x 5 μ , 8K x 7 μ , etc..
- ▶ Possible to capture the large field of view by one camera in limited space

WF5045-

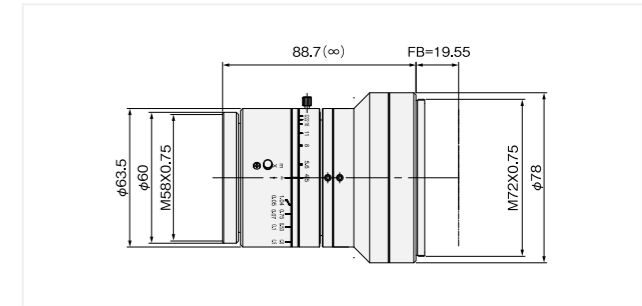
Focal length	50mm	Optical distortion	-0.01%
∞ F No.	4.5	Maximum Compatible sensor	ϕ 62.5mm
Range of WD	276mm - ∞	Mount	M72 or F
Magnification at MOD	0.2x		



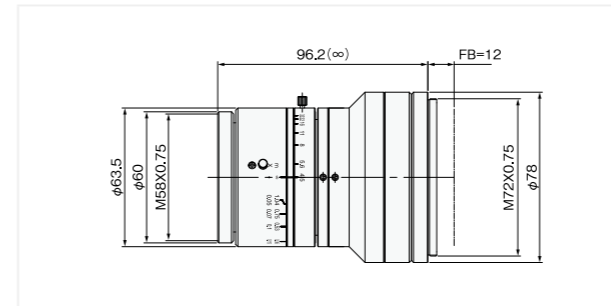
WF5045-N (FB=31.8mm)



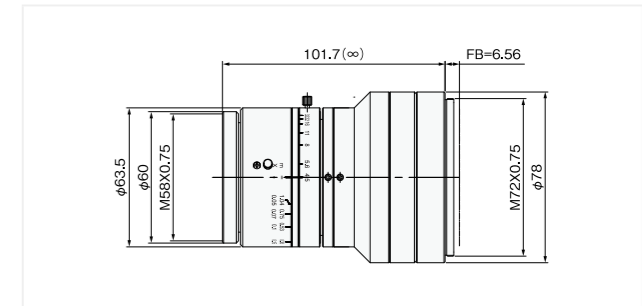
WF5045-M (FB=19.55mm)



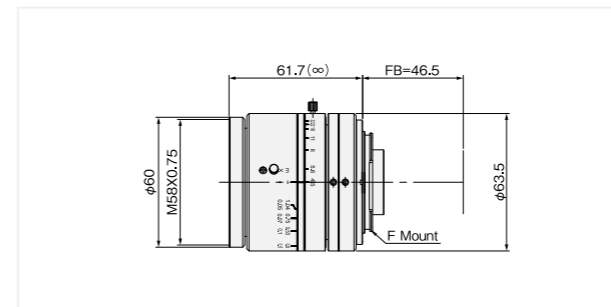
WF5045-D (FB=12mm)



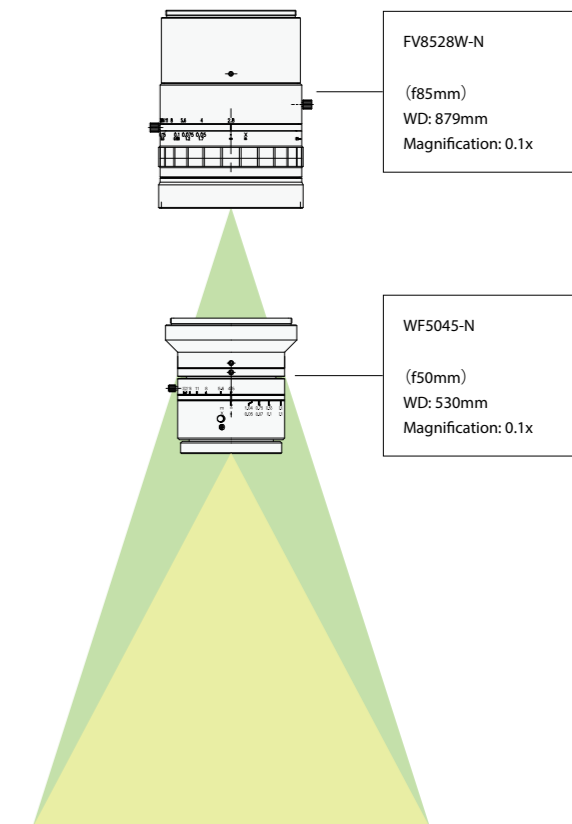
WF5045-H (FB=6.56mm)



WF5045-F (FB=46.5mm)



Conceptual Drawing



Distributed by:
MaxxVision®
 Sigmaringer Str. 121
 70567 Stuttgart
 Tel.: +49 711 997 996 3
 Fax: +49 711 997 996 50
 www.maxxvision.com
 info@maxxvision.com