

KF0818M-12MP

1" 8mm 12MP FA LENS

FA series Lens are optimized for machine vision light sources and sensors, with high resolution, excellent image uniformity, high transmittance and good stability. Featured with fixed focal length, manual aperture and compact size, it is suitable for machine vision industry applications.



Key Features

- High resolution and excellent image uniformity
- Low distortion to ensure measurement accuracy
- Maximum image circle of 1"
- Easy device integration with compact structure

Order Model

KF0818M-12MP

Specification

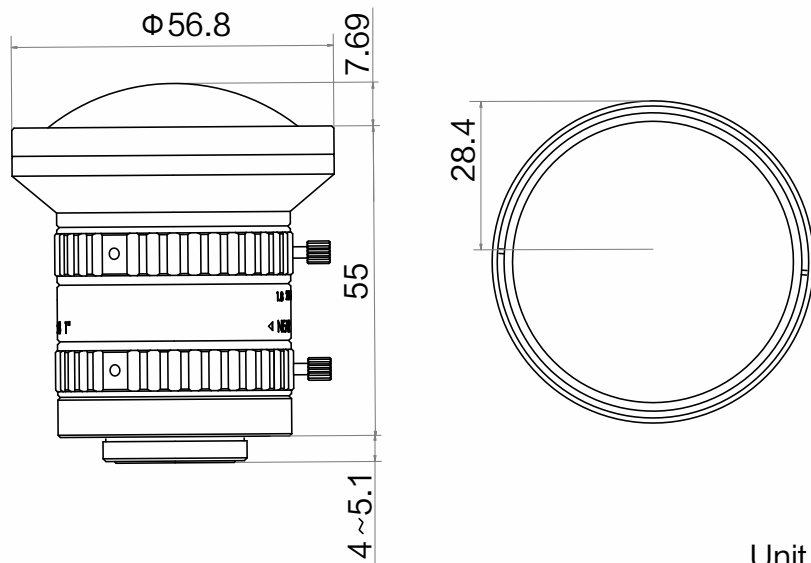
Model		KF0818M-12MP		
		Fixed focal length, Manual iris, 12MP, FA Lens		
Parameter		8mm	Mount	C-Mount
Focal Length		8mm	Mount	C-Mount
F-Number		F1.8~C	Flange Back Length	17.526mm
Image Size		Φ16mm(1")	Filter Thread	/
Optical Distortion		-4.12%	Minimum Operation Distance	0.3m
Control	Iris	Manual	Dimension	Φ56.8×54.9mm
	Focus	Manual		
Operating Temperature		-10~50°C	Weight	236g
Angle of View		1"	D	90.06°
			H	77.16°
			V	61.3°



Field of View

Working Distance (mm)	Magnification	Extension (mm)	Field of View (mm)			
			1"		2/3"	
			(12.45mm×9.83mm)		(8.45mm×7.07mm)	
			H	V	H	V
25	0.179	1	78.38	59.23	49.94	41.11
50	0.116	0.5	118.07	90.20	76.37	63.06
75	0.086	0.5	156.34	120.19	102.00	84.37
100	0.069	0.5	194.52	150.11	127.58	105.64
150	0.048		275.49	213.32	181.56	150.51
200	0.037		353.11	274.12	233.53	193.73
250	0.031		430.70	334.89	285.48	236.93
300	0.026		508.28	395.65	337.41	280.13
350	0.022		585.84	456.41	389.35	323.32
400	0.020		663.40	517.16	441.28	366.51
450	0.018		740.96	579.91	493.20	409.70
500	0.016		818.51	638.66	545.13	452.88
550	0.015		896.07	699.40	597.05	496.07
600	0.013		973.61	760.15	648.98	539.25
700	0.012		1128.71	881.63	752.82	625.62
800	0.010		1283.80	1003.11	856.66	711.98
900	0.009		1438.89	1124.59	960.50	798.35
1000	0.008		1593.97	1246.07	1064.34	884.71

Dimension



Unit: mm

MaxxVision®

Sigmaringer Str. 121
70567 Stuttgart
Tel.: 0711 997 996 3
www.maxxvision.com

HIKROBOT

Hangzhou Hikrobot Technology Co., Ltd.
No.399 Danfeng Road, Binjiang District, Hangzhou 310051, China.
en.hikrobotics.com

Copyright Hikrobot

Hangzhou Hikrobot Technology Co., Ltd. All Rights Reserved. Hangzhou Hikrobot Technology does not tolerate any infringement. Any organization or individual may not imitate or reproduce in whole or in part of the content. The data herein is based on Hikrobot's internal evaluation. Actual data may vary depending on specific configuration and operating condition. The information herein is subject to change without notice All the content has been checked conscientiously. Nevertheless, Hikrobot shall not be liable to damages resulting from errors, inconsistencies or omissions.