

VL7531U-MPZ

f=75mm F3.1

for 1 Type 20Megapixel cameras, Motorized Control Fixed-focal

USB interface, C-Mount

Optical Specifications

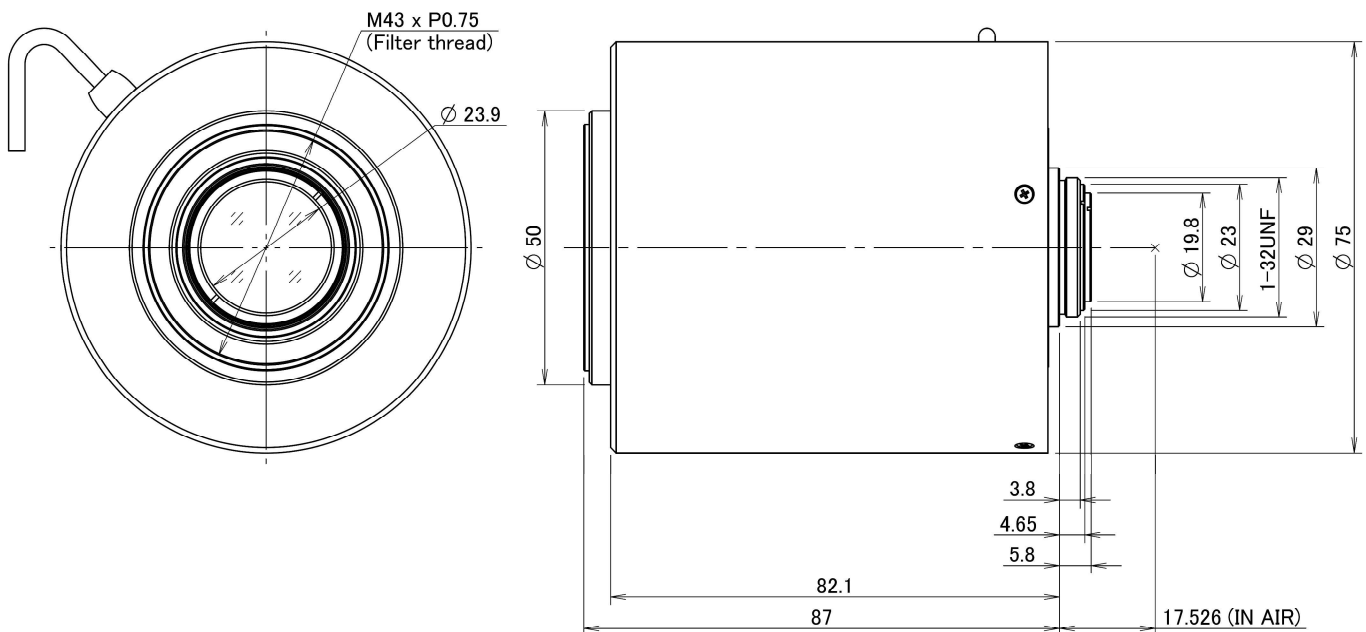
Model No.		VL7531U-MPZ		Effective Lens Aperture		Front:φ23.6mm Rear:φ16.5mm	
Focal Length		75mm		Back Focal Length		12.0mm (in Air)	
Operation Range	Iris	F3.1 - F16.0		Flange Back Length		17.526mm (In Air)	
	Focus	0.25m - Inf.		Max. Image Format		12.8mm x 9.6mm(φ16mm)	
Object Dimension at M.O.D.	1 Type	38.9mm x 29.2mm		Distortion	1 Type	0.0%	
	2/3 Type	26.8mm x 20.1mm			2/3 Type	0.0%	
	1/1.8 Type	21.9mm x 16.4mm			1/1.8 Type	0.0%	
Angle of View	D	1 Type	12.2°	2/3 Type	8.4°	1/1.8 Type	6.9°
			9.8°		6.7°		5.5°
			7.3°		5.0°		4.1°

Mechanical & Electrical Specifications

Control Interface		USB2.0		Dimensions		As per the attached drawing	
Power mode		Bus power (500mA)		Mount		C-Mount	
Connector		USB TypeA		Weight		415g	
Operating Temperature		-10°C - +50°C		Tripod Screw		-	
Control	Iris	Motorized		Filter thread		M43 x P0.75mm	
	Focus	Motorized					

Dimensions

Unit:mm



Length of Wire

300±20 (mm)

MaxxVision®

Sigmaringer Str. 121
70567 Stuttgart
Tel.: 0711 997 996 3
www.maxxvision.com