

# VL0826U-MPZ

**f=8mm F2.6**

**for 1 Type 20Megapixel cameras, Motorized Control Fixed-focal  
USB interface, C-Mount**

**Optical Specifications**

|                            |            |                   |       |                         |            |                            |       |
|----------------------------|------------|-------------------|-------|-------------------------|------------|----------------------------|-------|
| Model No.                  |            | VL0826U-MPZ       |       | Effective Lens Aperture |            | Front:φ49.4mm Rear:φ15.1mm |       |
| Focal Length               |            | 8mm               |       | Back Focal Length       |            | 10.6mm (In Air)            |       |
| Operation Range            | Iris       | F2.6 - F16.0      |       | Flange Back Length      |            | 17.526mm (In Air)          |       |
|                            | Focus      | 0.1m - Inf.       |       | Max. Image Format       |            | 12.8mm x 9.6mm(φ16mm)      |       |
| Object Dimension at M.O.D. | 1 Type     | 189.9mm x 140.0mm |       | Distortion              | 1 Type     | -0.8%                      |       |
|                            | 2/3 Type   | 127.8mm x 94.8mm  |       |                         | 2/3 Type   | -2.1%                      |       |
|                            | 1/1.8 Type | 103.7mm x 77.2mm  |       |                         | 1/1.8 Type | -1.9%                      |       |
| Angle of View              | D          | 1 Type            | 88.8° | 2/3 Type                | 68.6°      | 1/1.8 Type                 | 58.2° |
|                            | H          |                   | 76.9° |                         | 57.1°      |                            | 47.8° |
|                            | V          |                   | 61.5° |                         | 44.2°      |                            | 36.6° |

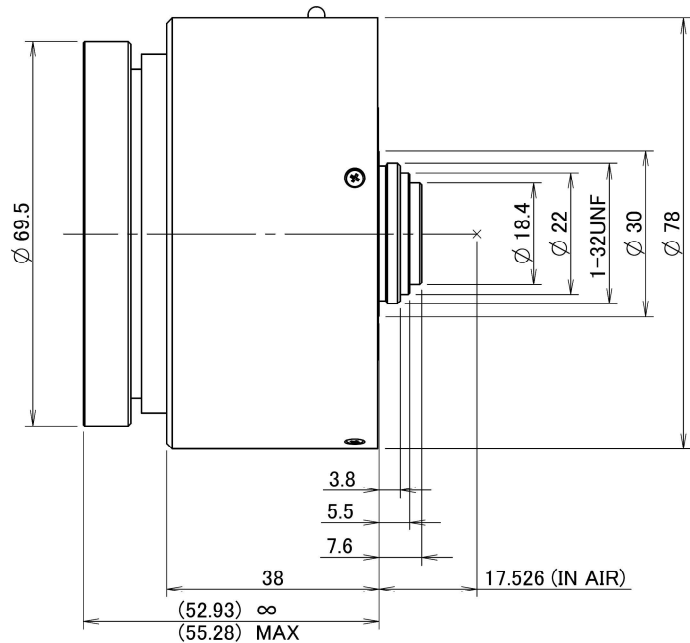
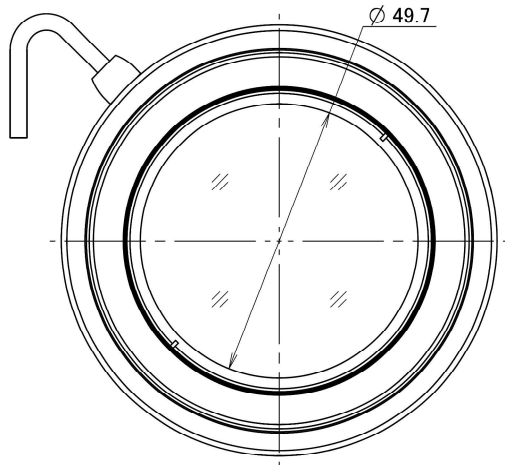
**Mechanical & Electrical Specifications**

|                       |       |                    |  |               |  |                              |  |
|-----------------------|-------|--------------------|--|---------------|--|------------------------------|--|
| Control Interface     |       | USB2.0             |  | Dimensions    |  | As per the attached drawing  |  |
| Power mode            |       | Bus powerd (500mA) |  | Mount         |  | C-Mount                      |  |
| Connector             |       | USB TypeA          |  | Weight        |  | 334g                         |  |
| Operating Temperature |       | -10°C - +50°C      |  | Tripod Screw  |  | -                            |  |
| Control               | Iris  | Motorized          |  | Filter thread |  | *M82 x P0.75mm (With ZM0810) |  |
|                       | Focus | Motorized          |  |               |  |                              |  |

(\* )For using filters, please attach VM0810 (Sold Separately)

Dimensions

Unit:mm



Length of Wire

300±20 (mm)

**MaxxVision®**

Sigmaringer Str. 121  
70567 Stuttgart  
Tel.: 0711 997 996 3  
www.maxxvision.com

This specification is subject to change without any notice.

2022.11