

V0828-MPY2

f=8mm F2.8

for 1.1" type 12 Megapixel cameras, Fixed-focal

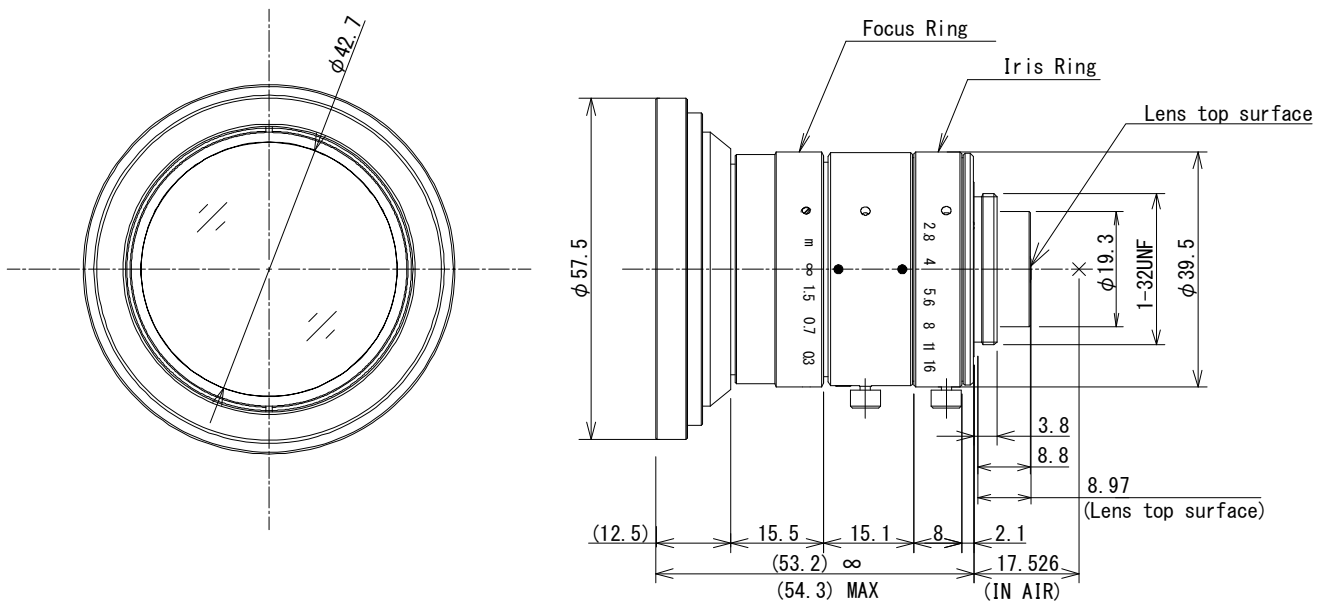
C-Mount

Model No.	V0828-MPY2		Effective	Front	φ 42.2mm					
Focal Length	8mm		Lens Aperture	Rear	φ 15.3mm					
Max. Aperture Ratio	1:2.8		Distortion	1.1 type	-0.6%					
Max. Image Format	14.2mm x 10.4mm(φ 17.6mm)			1 type	-1.7%					
Operation Range	Iris	F2.8 - F16.0		2/3 type	-2.8%					
	Focus	0.2m - Inf.	Back Focal Length		8.6mm					
Control	Iris	Manual	Flange Back Length		17.526mm					
	Focus	Manual	Mount		C-Mount					
Object Dimension at M.O.D.	1.1 Type	38cm x 27cm	Weight		157.4g					
	1 Type	34cm x 25cm	Dimensions							
	2/3 Type	23cm x 17cm								
Filter Size(*)	-		φ 57.5mm x 53.2mm							
Angle of View	D	1.1 Type	93.9°	1 Type	89.3°	2/3 Type	69.0°			
	H							83.0°	77.3°	57.3°
	V									
Operating Temperature	-10°C - +50°C									

M.O.D. : Minimum Object Distance

(*)For using filters, please attach either VM0811 or VM0810.

Dimensions



MaxxVision®
 Sigmaringer Str. 121
 70567 Stuttgart
 Tel.: 0711 997 996 3
 www.maxxvision.com