

DL1623UC-MPY

f=16mm F2.3

**for 1/1.1 Type 12Megapixel cameras, Motorized Control Fixed-focal
USB interface, C-Mount**

Optical Specifications

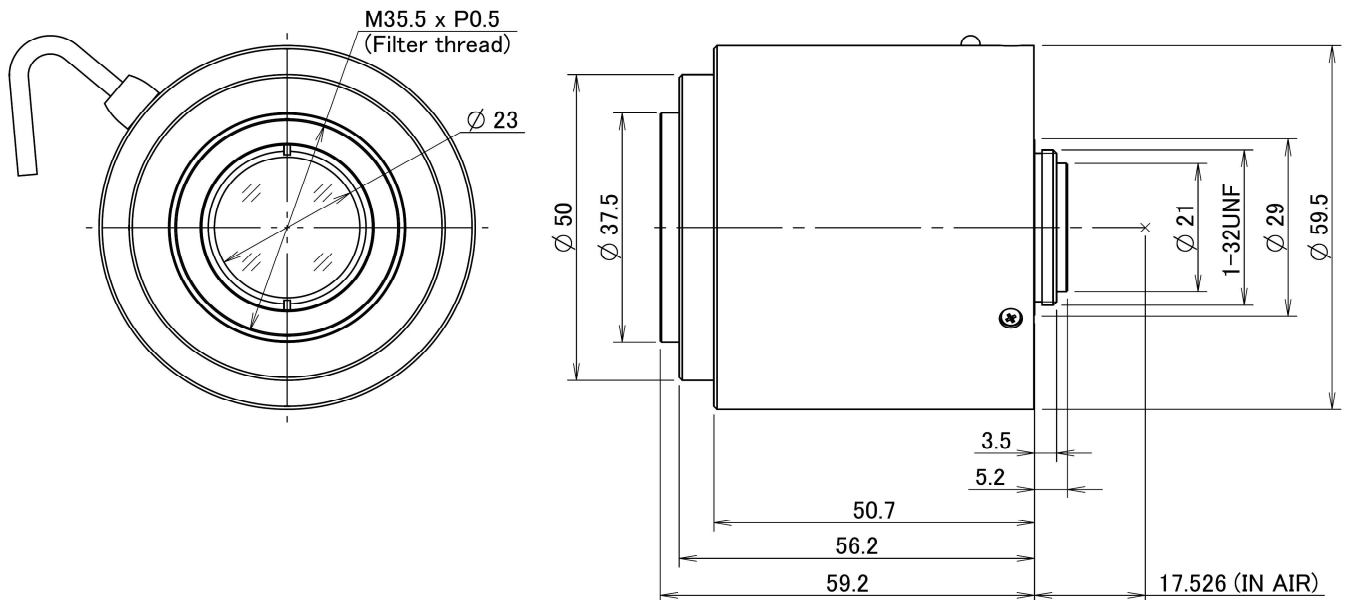
Model No.		DL1623UC-MPY		Effective Lens Aperture		Front:φ22.8mm Rear:φ13.5mm	
Focal Length		16mm		Back Focal Length		14.3mm (In Air)	
Operation Range	Iris	F2.3 - F16.0		Flange Back Length		17.526mm (In Air)	
	Focus	0.11m - Inf.		Max. Image Circle		φ14.4mm	
Object Dimension at M.O.D.	1/1.1 Type	81.0mm x 59.2mm		Distortion	1/1.1 Type	0.0%	
	2/3 Type	63.4mm x 47.4mm			2/3 Type	-0.7%	
	1/1.8 Type	51.8mm x 38.7mm			1/1.8 Type	-0.7%	
Angle of View	D	1/1.1 Type	47.0°	2/3 Type	38.2°	1/1.8 Type	31.6°
	H	11.22mm x 8.22mm	38.9°	8.8mm x 6.6mm	31.0°	7.2mm x 5.4mm	25.5°
	V	(φ13.9mm)	29.0°	(φ11.0mm)	23.4°	(φ9.0mm)	19.2°

Mechanical & Electrical Specifications

Control Interface		USB2.0		Dimensions		As per the attached drawing	
Power mode		Bus powerd (500mA)		Mount		C-Mount	
Connector		USB TypeA		Weight		173g	
Operating Temperature		-20°C - +60°C		Tripod Screw		-	
Control	Iris	Motorized		Filter thread		M35.5 x P0.5mm	
	Focus	Motorized		IRCF switcher		-	

Dimensions

Unit:mm



Length of Wire

300±20 (mm)

MaxxVision®
Sigmaringer Str. 121
70567 Stuttgart
Tel.: 0711 997 996 3
www.maxxvision.com