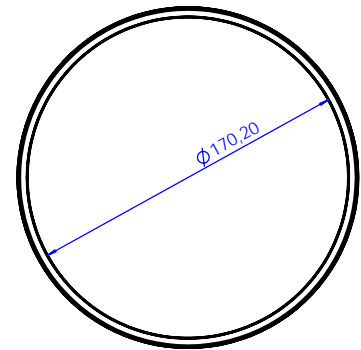
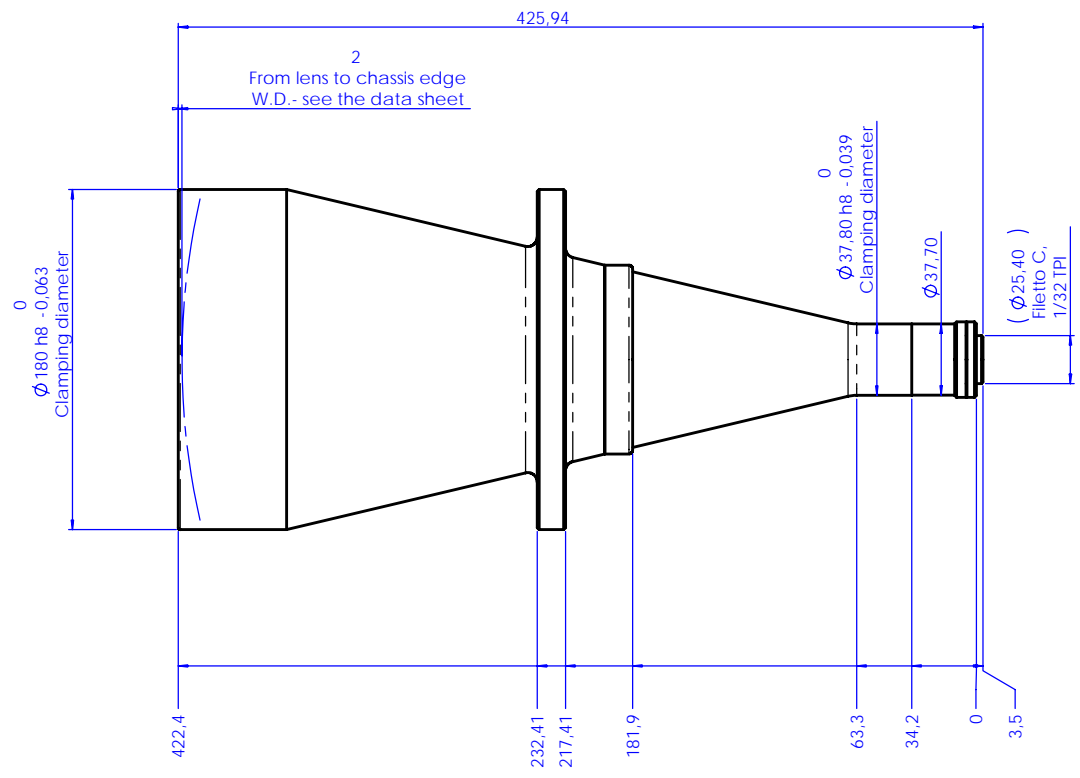
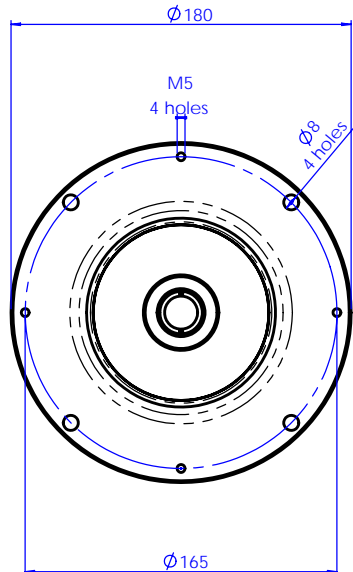


Rev No.	Description	Date	Name
A	First light	14/04/06	A.Vismara



Material	N.A.	Mass	5.3 kg	Scale	1:2
Surface treatment	N.A.	Project-Prod.Item/Instrument	Telecentric lens 23 120		
Geometrical tolerance (ISO 2768-2)		Class	K	Undimensioned Bevels	1x45°
Linear tolerance (ISO 2768-2)		Class	m	Undimensioned radii	R 0.5
0.5	>3-	>6-	>30-	>120	>400-
-3	6	30	120	400	1000
±0.1	±0.1	±0.2	±0.3	±0.5	±0.8
		Class	m	±1.2	±2
		Date	Name		
		Designed	14/04/06	A.Vismara	
		Draw	14/04/06	A.Vismara	
		Checked	x	C.Sedazzari	
		Drawing No.		Sheet	
		02501-0-A		1/1	
OPTO ENGINEERING S.r.l. - 46100 Mantova Italy - Via Cremona, 28 - Tel/Fax +39 0376 229585 - e-mail info@opto-engineering.com - http://www.opto-engineering.com					