



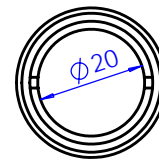
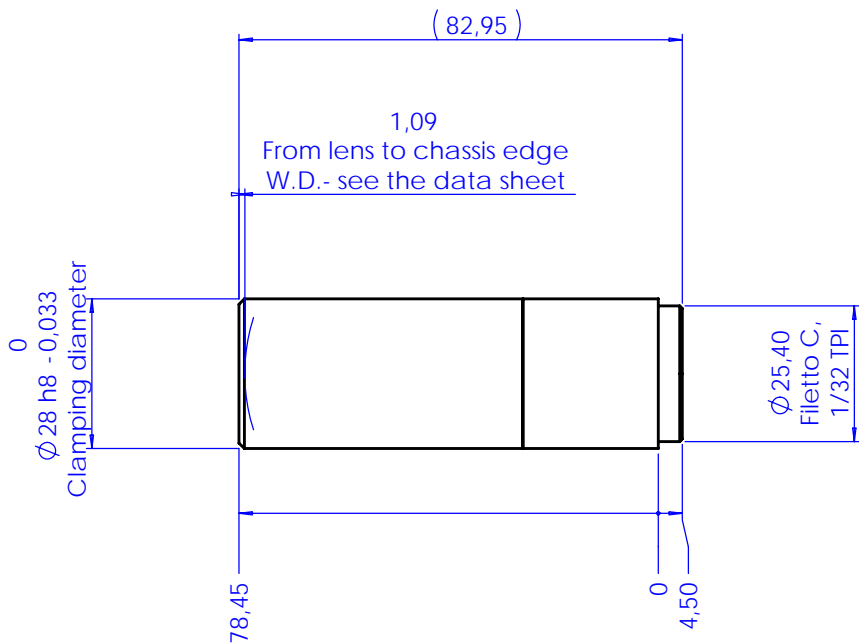
## BI-TELECENTRIC LENS FOR 2/3" TO 1/4" MATRIX DETECTORS

<b>Model:</b>	<b>TC 23 07</b>	
<b>Magnification (X):</b>	1.3333	
<b>Object Field (mm):</b>	1/4" (3,6 x 2,7):	2.7 x 2.0
	1/3" (4,8 x 3,6):	3.6 x 2.7
	1/2" (6,4 x 4,8):	4.8 x 3.6
	1/1.8" (7,13 x 5,37):	5.3 x 4.0
	2/3" (8,8 x 6,6):	6.6 x 5.0
<b>Working Distance (mm):</b>	61.2 +/- 2	
<b>Working F-number:</b>	11	
<b>MTF @70 lp/mm (%):</b>	>30	
<b>Field Depth (mm):</b>	0.5 @ F/ 11	
<b>Image side N.A.:</b>	0.045	
<b>Object side N.A.:</b>	0.060	
<b>Telecentricity (degree):</b>	< 0,08	
<b>Distortion (%):</b>	< 0,08	
<b>Mount:</b>	C	
<b>Length (mm):</b>	78.5	
<b>Maximum external diameter (mm):</b>	28.0	
<b>Weigh (g):</b>	120	

### NOTES:

- 1) The inner aperture diaphragm can be interchanged with smaller apertures in order to achieve a larger Field Depth
- 2) Compatible with LT RN 23 diffusive Ring Light
- 3) Custom flanges and mechanical interfaces can be provided on request

Rev No.	Description	Date	Name
A	Layout	07/06/05	A.Vismara



Material	N.A.			Mass	0.12 kg	Scale	1:1
Surface treatment	N.A.			Project-Prod.Item/Instrument Telecentric lens 23 07			
Geometrical tolerance (ISO 2768-2)			Class	K	Undimensioned bevels		
Linear tolerance (ISO 2768-2)			Class	m	Undimensioned radii		
0.5	>3-	>6-	>30-	>120	>400-	>1000	>2000
+3	6	30	120	+400	+1000	+2000	+4000
$\pm 0.1$	$\pm 0.1$	$\pm 0.2$	$\pm 0.3$	$\pm 0.5$	$\pm 0.8$	$\pm 1.2$	$\pm 2$
Date				Name			
Designed		07/06/05	A.Vismara		Drawing No.		
Draw		07/06/05	A.Vismara		02021-0-A		
Checked		X	C. Sedazzari		Sheet		
					1/1		
www.opto-engineering.com OPTO ENGINEERING S.r.l. - 46100 Mantova Italy - Via Cremona, 28 - Tel. +39 0376 229585 - e-mai: info@opto-engineering.com - http://www.opto-engineering.com							

Reproduction forbidden without specific authorization