

WWW.OPTO-ENGINEERING.COM

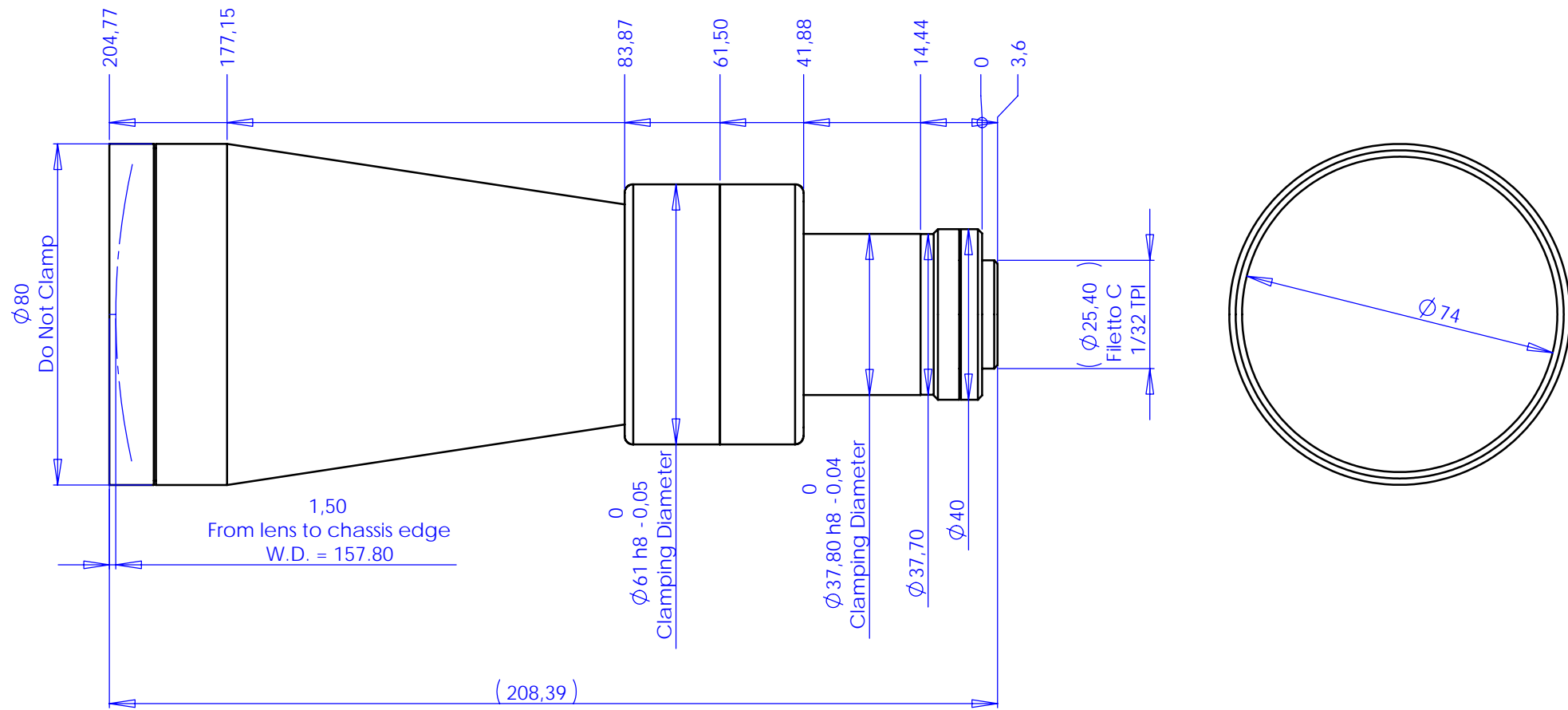
BI-TELECENTRIC LENS FOR 1/2" AND 1/1.8" TO 1/4" MATRIX DETECTORS

Model:	TC 12 56		
Magnification (X):	0.11		
Object Field (mm):	1/4" (3,6 x 2,7):	31.5	x 23.6
	1/3" (4,8 x 3,6):	42.0	x 31.5
	1/2" (6,4 x 4,8):	56.0	x 42.0
	1/1.8" (7,13 x 5,37):	62.4	x 47.0 (5)
	2/3" (8,8 x 6,6):	diam.	= 57.8
Working Distance (mm):	159.3 +/- 5		
Working F-number:	8		
MTF @70 lp/mm (%):	>50		
Field Depth (mm):	45.0	@	F/ 8
Image side N.A.:	0.062		
Object side N.A.:	0.007		
Telecentricity (degree):	<0,08		
Distortion (%):	< 0,08		
Mount:	C		
Length (mm):	205		
Maximum external diameter (mm):	80		
Weigh (g):	950		

NOTES:

- 1) The inner aperture diaphragm can be supplied on request with smaller apertures in order to achieve a larger Field Depth
- 2) Compatible with LT RN 64 diffusive ring light
- 3) Specific "Teleclamp56" mechanical interface available
- 4) Can be coupled to a collimated light illuminator like LT CL 56
- 5) Small vignetting at the image corners possible with a 1/1.8" detector
- 6) Compatible with Diffuse Coaxial LT CX 64 Illuminator

Rev No.	Description	Date	Name
D	Assieme TC1256 - Nuova Versione	25/03/06	A. Bnà



Material		Surface treatment		Material		Scale	1:1
Geometrical tolerance (ISO 2768-2)				Class	K	Undimensioned bevels	
Linear tolerance (ISO 2768-2)				Class	m	Undimensioned radii	
0.5	>3-	>6-	>30-	>120	>400-	>1000	>2000
+3	6	30	120	+400	1000	+2000	+4000
$\pm 0,1$	$\pm 0,1$	$\pm 0,2$	$\pm 0,3$	$\pm 0,5$	$\pm 0,8$	$\pm 1,2$	± 2
www.opto-engineering.com				Date	Name	Drawing No.	
Designed				25/03/06	A. Bnà	13671-0-D-TC1256	
Draw				25/03/06	A. Bnà	Sheet	
Checked				X	C. Sedazzari	1/1	
Reproduction forbidden without specific authorization							