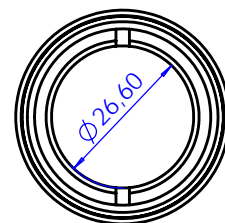
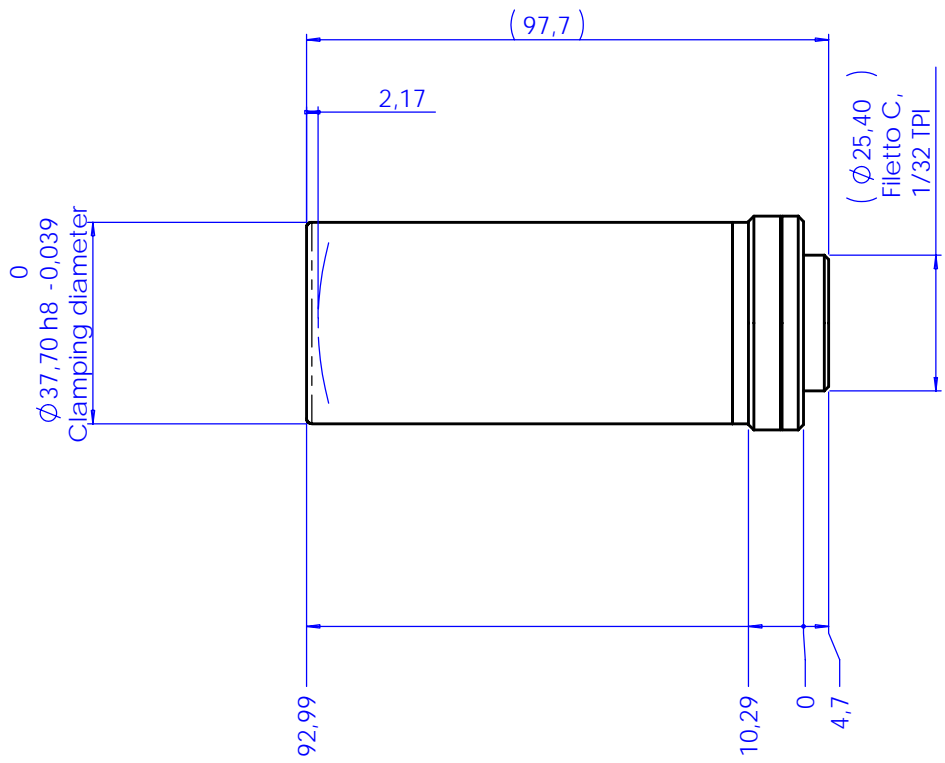


Rev No.	Description	Date	Name
A	First light	01/05/03	A.Vismara
D	Redesign	15/02/06	A.Vismara



Material	N.A.			Mass	0.26 kg	Scale	1:1
Surface treatment	N.A.			Project-Prod.Item/Instrument Telecentric lens 12 16			
Geometrical tolerance (ISO 2768-2)			Class	K	Undimensioned bevels	1x45°	Description Assembly
Linear tolerance (ISO 2768-2)			Class	m			
0.5	>3-	>6-	>30-	>120	>400-	>1000	>2000
+3	6	30	120	+400	+1000	+2000	+4000
±0.1	±0.1	±0.2	±0.3	±0.5	±0.8	±1.2	±2
www.opto-engineering.com			Date	Name	Drawing No.		
			Designed	15/02/06	A.Vismara	01851-0-D	
			Draw	15/02/06	A.Vismara	Sheet	
			Checked	X	C. Sedazzari	1/1	
Reproduction forbidden without specific authorization							